



AIR CONDITIONERS

XC16

ELITE® Series

R-410A - Two-Stage Compressor

PRODUCT SPECIFICATIONS

Bulletin No. 210465

May 2014

Supersedes December 2013

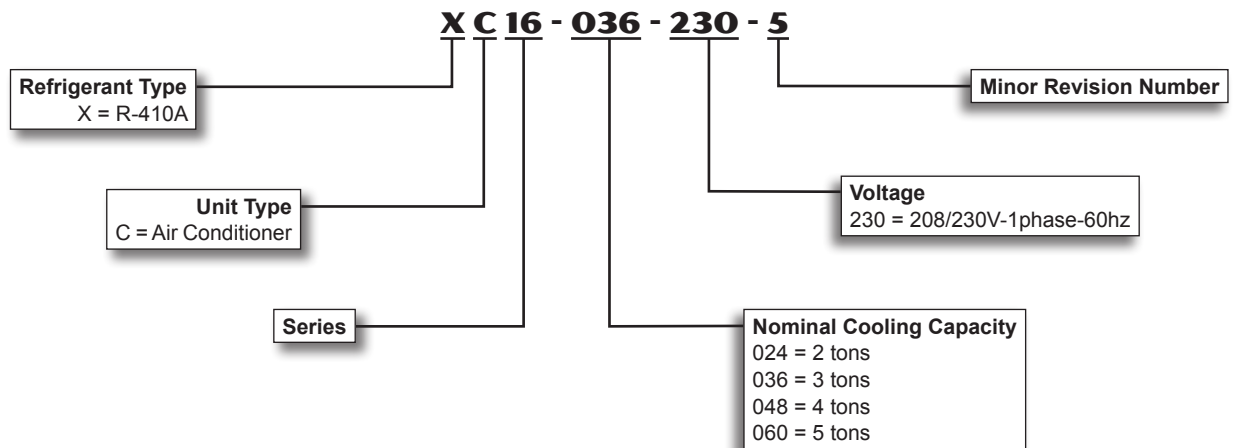


SEER up to 17.00

2 to 5 Tons

Cooling Capacity - 23,000 to 57,500 Btuh

MODEL NUMBER IDENTIFICATION



FEATURES

CONTENTS

AHRI System Matches.....	9
Dimensions.....	7
Electrical Data.....	5
Features.....	2
Field Wiring.....	6
Installation Clearances.....	6
Model Number Identification.....	1
Optional Accessories.....	5
Outdoor Sound Data.....	6
Specifications.....	5

WARRANTY

Compressor - limited warranty for ten years in residential installations and five years in non-residential installations.

All other covered components - five years in residential installations and one year in non-residential installations.

Refer to Lennox Equipment Limited Warranty certificate included with unit for specific details.

APPROVALS

AHRI Certified to AHRI Standard 210/240-2008.

Sound rated in Lennox reverberant sound test room in accordance with test conditions included in AHRI Standard 270-2008.

Tested in the Lennox Research Laboratory environmental test room.

Rated according to U.S. Department of Energy (DOE) test procedures.

Air conditioners and components within bonded for grounding to meet safety standards for servicing required by UL and CEC.

Units are ETL certified for the U.S. and Canada.

ISO 9001 Registered Manufacturing Quality System.

ENERGY STAR® certified units are designed to use less energy, help save money on utility bills, and help protect the environment.

For expanded ratings, see www.lennox.com.

APPLICATIONS

SEER up to 17.20.

2 through 5 ton.

Single phase power supply.

Sound levels as low as 74 dB.

Vertical air discharge allows concealment behind shrubs at grade level or out of sight on a roof.

Matching add-on furnace indoor coils or air handlers provide a wide range of cooling capacities and applications. See AHRI System Matches.

See Indoor Coils and Air Handlers tab sections for data.



Units shipped completely factory assembled, piped, and wired. Each unit is test operated at the factory insuring proper operation.

Installer must set air conditioner, connect refrigerant lines, and make electrical connections to complete job.

REFRIGERATION SYSTEM

R-410A Refrigerant

Non-chlorine, ozone friendly, R-410A.

Unit pre-charged with refrigerant.

See Specification table.



1 Outdoor Coil Fan

Direct drive fan moves large air volumes uniformly through entire condenser coil for high refrigerant cooling capacity. 048 models have a variable-speed outdoor fan motor for quiet operation.

Vertical air discharge minimizes operating sounds and eliminates damage to lawn and shrubs.

Fan motor has sleeve bearings and is inherently protected.

Motor totally enclosed for maximum protection from weather, dust and corrosion

Fan guard constructed of corrosion-resistant PVC (polyvinyl chloride) coated steel.

Fan service access accomplished by removal of fan guard.

FEATURES

REFRIGERATION SYSTEM (continued)

- 2 Copper Tube/Enhanced Fin Coil**
Lennox designed and fabricated coil.
Ripple-edged aluminum fins.
Copper tube construction.
Lanced fins provide maximum exposure of fin surface to air stream resulting in excellent heat transfer.
Fin collars grip tubing for maximum contact area.
Flared shoulder tubing connections/silver soldering construction.
Coil is factory tested under high pressure to insure leakproof construction.
Entire coil is accessible for cleaning.
- 3 High Pressure Switch**
Shuts off unit if abnormal operating conditions cause the discharge pressure to rise above setting.
Protects compressor from excessive condensing pressure.
Auto-reset.
- 4 Low Pressure Switch**
Shuts off unit if suction pressure falls below setting.
Provides loss of charge and freeze-up protection.
Auto-reset.
- 5 Hi-Capacity Liquid Line Drier**
Factory installed in the liquid line, the drier traps moisture or dirt that could contaminate the refrigerant system.
100% molecular-sieve bead type drier.

Optional Accessories

Expansion Valve Kits

Must be ordered extra and field installed on certain indoor units. See TXV Usage table.

Chatleff style fitting.

Freezestat

Installs on or near the discharge line of the indoor coil or on the suction line.

Senses suction line temperature and cycles the compressor off when suction line temperature falls below its setpoint.

Opens at 29°F and closes at 58°F.

Refrigerant Line Kits

Refrigerant lines (suction & liquid) are shipped refrigeration clean. Lines are cleaned, dried, pressurized, and sealed at factory.

Suction line fully insulated.

L15 lines are stubbed at both ends.

See Specifications table for selection.

Not available for -060 model and must be field fabricated.

COMPRESSOR

6 Copeland Scroll Ultra Tech™ Two-Stage Compressor

Compressor features high efficiency with uniform suction flow, constant discharge flow, high volumetric efficiency and quiet operation.

Compressor consists of two involute spiral scrolls matched together to generate a series of crescent shaped gas pockets between them.

During compression, one scroll remains stationary while the other scroll orbits around it.

Gas is drawn into the outer pocket, the pocket is sealed as the scroll rotates.

As the spiral movement continues, gas pockets are pushed to the center of the scrolls. Volume between the pockets is simultaneously reduced.

When the pocket reaches the center, gas is now at high pressure and is forced out of a port located in the center of the fixed scrolls. During compression, several pockets are compressed simultaneously resulting in a smooth continuous compression cycle.

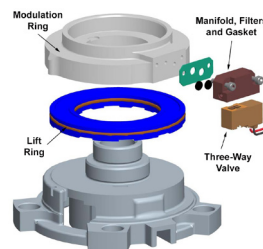
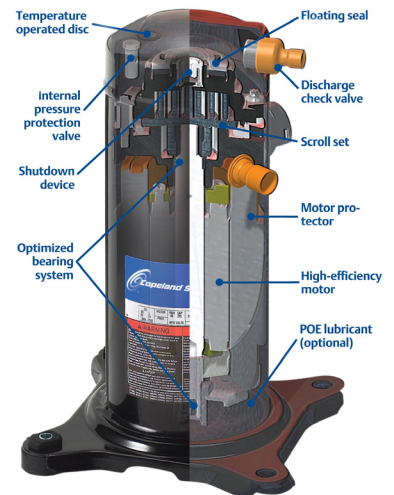
Continuous flank contact, maintained by centrifugal force, minimizes gas leakage and maximizes efficiency. Scroll compressor is tolerant to the effects of slugging and contaminants. If this occurs, scrolls separate, allowing liquid or contaminants to be worked toward the center and discharged.

During the compression process, there are several pockets in the scroll that are compressing gas. Modulation is achieved by venting a portion of the gas in the first suction pocket back to the low side of the compressor thereby reducing the effective displacement of the compressor.

A 24-volt DC solenoid valve inside the compressor controls staging. When the 3-way solenoid is energized it moves the lift ring assembly to block the ports and the compressor operates at full-load or 100% capacity. When the solenoid is de-energized the lift ring assembly moves to unblock the compressor ports and the compressor operates at part-load or approximately 67% of its full-load capacity.

The “loading” and “unloading” of the two stage scroll is done “on the fly” without shutting off the single-speed compressor motor between stages.

Low gas pulses during compression reduces operational sound levels.



FEATURES

COMPRESSOR (continued)

Compressor motor is internally protected from excessive current and temperature.

Compressor is installed in the unit on specially formulated, resilient rubber mounts for better sound dampening and vibration free operation.

Crankcase Heater (048-060 models only)

Crankcase heater prevents migration of liquid refrigerant into compressor and ensures proper compressor lubrication.

Optional Accessories

Crankcase Heater (Optional for 024-036 models)

Crankcase heater prevents migration of liquid refrigerant into compressor and ensures proper compressor lubrication.

Compressor Hard Start Kit

Single-phase units are equipped with a PSC compressor motor. This type of motor normally does not need a potential relay and start capacitor.

In conditions such as low voltage, kit may be required to increase the compressor starting torque.

Hard start kit is required in applications where the supply voltage is less than 230V.

CONTROLS

Optional Accessories

Blower Relay Kit

(For Use With EL195E and ML180E Gas Furnaces)

Allows furnace blower speed changes when matched with two-stage air conditioners.

ComfortSense® 7000 Touchscreen Thermostat

Electronic 7-day, universal, multi-stage, programmable, touchscreen thermostat.

4 Heat/2 Cool.

Auto-changeover.

Controls humidity during cooling mode.

Offers enhanced capabilities including humidification / dehumidification / dewpoint measurement and control, *Humiditrol*® control, and equipment maintenance reminders.

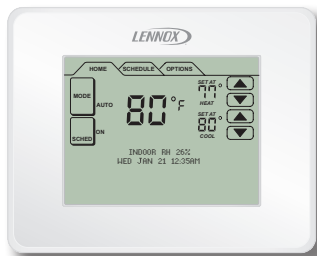
Easy-to-use, menu driven thermostat with a back-lit, LCD touchscreen.

Remote outdoor temperature sensor (optional) allows the thermostat to display outdoor temperature. Required in dual fuel and *Humiditrol*® applications.

See the ComfortSense 7000 Product Specifications bulletin in the Controls section for more information.

Indoor Blower Off Delay Relay

Delays the indoor blower-off time during the cooling cycle.



Indoor Blower Speed Relay

Relay kit provides optimum humidity control conditions by automatically reducing indoor blower speed during continuous fan or first-stage compressor operation.

Low Ambient Kit

Air conditioner will operate satisfactorily down to 45°F outdoor air temperature without any additional controls. Kit can be added in the field enabling unit to operate properly down to 30°F.

A Freezestat and optional Crankcase Heater (024-036) should be installed on compressors equipped with a low ambient kit.

A Compressor Low Ambient Cut-Off should be added to terminate compressor operation below recommended operation conditions.

Thermostat

Thermostat not furnished with unit. See Thermostat bulletins in Controls Section and Lennox Price Book.

CABINET

7 Heavy-gauge steel construction

Pre-painted cabinet finish.

Control box is conveniently located with all controls factory wired.

Large removable panel provides service access.

Drainage holes are provided in base section for moisture removal.

High density polyethylene unit support feet raise the unit off of the mounting surface, away from damaging moisture.

PermaGuard™ Unit Base

Durable zinc-coated base section resists rust and corrosion.

8 SmartHinge™ Louvered Coil Protection

Steel louvered panels provides complete coil protection.

Panels are hinged to allow easy cleaning and servicing of coils.

Panels may be completely removed.

Interlocking tabs and slots assure tight fit on cabinet.



9 Refrigerant Line Connections, Electrical Inlets and Service Valves

Suction and liquid lines are located on corner of unit cabinet and are made with sweat connections. See dimension drawing.

Fully serviceable brass service valves prevent corrosion and provide access to refrigerant system. Suction valve can be fully shut off, while liquid valve may be front seated to manage refrigerant charge while servicing system.

Refrigerant line connections and field wiring inlets are located in one central area of the cabinet. See dimension drawing.

SPECIFICATIONS

General Data		Model No.	XC16-024	XC16-036	XC16-048	XC16-060
Nominal Tonnage			2	3	4	5
Connections (sweat)	Liquid line (o.d.) - in.		3/8	3/8	3/8	3/8
	Suction line (o.d.) - in.		3/4	7/8	7/8	1-1/8
Refrigerant		¹ R-410A charge furnished	7 lbs. 5 oz.	8 lbs. 6 oz.	10 lbs. 7 oz.	12 lbs. 1 oz.
Outdoor Coil	Net face area - sq. ft.	Outer coil	24.50	16.33	21.00	29.09
		Inner coil	---	15.76	20.27	28.24
	Tube diameter - in.		5/16	5/16	5/16	5/16
	No. of rows		1	2	2	2
	Fins per inch		26	22	22	22
Outdoor Fan	Diameter - in.		22	22	22	26
	No. of blades		4	4	4	3
	Motor hp		1/6	1/4	1/3	1/3
	Cfm - 1st stage		3260	3500	3190	4325
		2nd stage	---	---	3700	---
	Rpm - 1st stage		840	825	705	865
		2nd stage	---	---	820	---
	Watts - 1st stage		220	300	165	240
2nd stage		---	---	260	---	
Shipping Data - lbs. 1 pkg.			249	243	268	332

ELECTRICAL DATA

Line voltage data - 60hz			⁴ 230V-1ph	⁴ 230V-1ph	⁴ 230V-1ph	⁴ 230V-1ph
² Maximum overcurrent protection (amps)			25	35	50	60
³ Minimum circuit ampacity			15.7	20.8	29.2	35.6
Compressor	Rated load amps		11.66	15.25	21.15	27.1
	Locked rotor amps		58.3	83	104	152.9
	Power factor		0.98	0.99	0.99	0.99
Outdoor Fan Motor	Full load amps		1.0	1.7	2.8	1.8
	Locked Rotor amps		1.9	3.1	N/A	2.9

OPTIONAL ACCESSORIES - ORDER SEPARATELY

Blower Relay Kit (for EL195E and ML180E gas furnaces)	85W66		•	•	•	•
ComfortSense® 7000 Thermostat	Y2081		•	•	•	•
Outdoor Temperature Sensor - for ComfortSense 7000 Thermostat	X2658		•	•	•	•
Compressor Crankcase Heater	93M06		•	•		
	Factory				•	•
Compressor Hard Start Kit - Required in applications with less than 230V	63W22		•			
	10J42			•	•	
	63W24					•
Compressor Low Ambient Cut-Off	45F08		•	•	•	•
Compressor Time-Off Control	47J27		•	•	•	•
Freezestat	3/8 in. tubing	93G35	•	•	•	•
	5/8 in. tubing	50A93	•	•	•	•
Indoor Blower Off Delay Relay	58M81		•	•	•	•
Indoor Blower Speed Relay	40K58		•	•	•	•
⁵ Low Ambient Kit	34M72		•	•		•
	68M04				•	
Refrigerant Line Sets	L15-41-20	L15-41-40	•			
	L15-41-30	L15-41-50				
	L15-65-30	L15-65-40		•	•	
		L15-65-50				
	Field Fabricate					•

NOTE - Extremes of operating range are plus 10% and minus 5% of line voltage.

¹ Refrigerant charge sufficient for 15 ft. length of refrigerant lines. For longer line set requirements see the Installation Instructions for information about line set length and additional refrigerant charge required.

² HACR type breaker or fuse.

³ Refer to National or Canadian Electrical Code manual to determine wire, fuse and disconnect size requirements.

⁴ Hard Start Kit is required in applications where the supply voltage is less than 230V.

⁵ Crankcase Heater (if not furnished) and Freezestat are recommended with Low Ambient Kit.

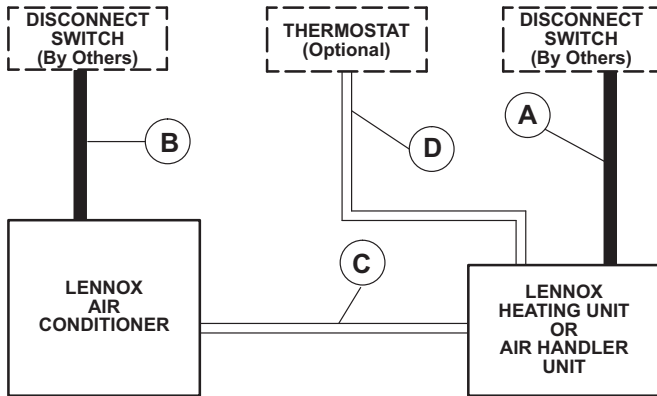
OUTDOOR SOUND DATA

¹ Unit Model No.	Octave Band Linear Sound Power Levels dB, re 10 ⁻¹² Watts								¹ Sound Rating Number (dB)
	Center Frequency - HZ								
	63	125	250	500	1000	2000	4000	8000	
XC16-024	77.5	66.6	65.5	66.4	62.7	57.9	55.1	55.5	73
XC16-036	77.8	70.6	67.9	66.7	63.1	57.5	54.7	55.4	74
XC16-048	74.6	64.7	64.1	65.8	65.2	60.3	56.1	53.7	74
XC16-060	72.6	68.9	67	66.4	67.4	58.9	57.3	52.5	74

NOTE - the octave sound power data does not include tonal correction.

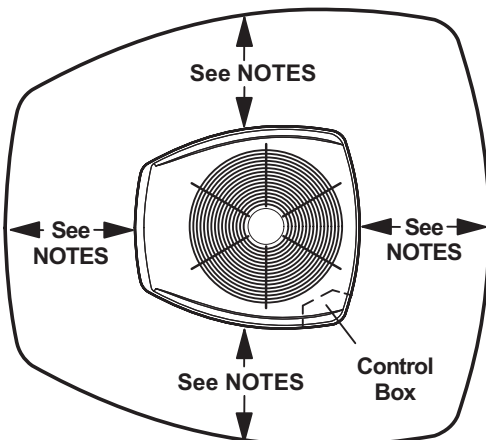
¹ Tested according to AHRI Standard 270-2008 test conditions.

FIELD WIRING



- A - Two Wire Power (not furnished)
 - B - Two Power (not furnished). See Electrical Data
 - C - Four Wire Low Voltage (not furnished). 18 ga. minimum
 - D - Six Wire Low Voltage (not furnished). 18 ga. minimum
- All wiring must conform to NEC or CEC and local electrical codes.*

INSTALLATION CLEARANCES - INCHES (MM)



NOTES:

Service clearance of 30 in. (762 mm) must be maintained on one of the sides adjacent to the control box.

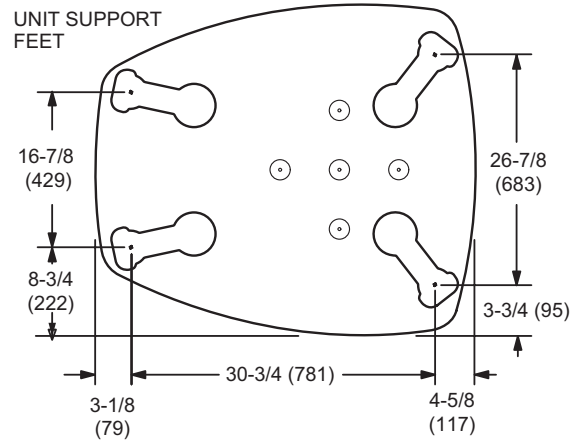
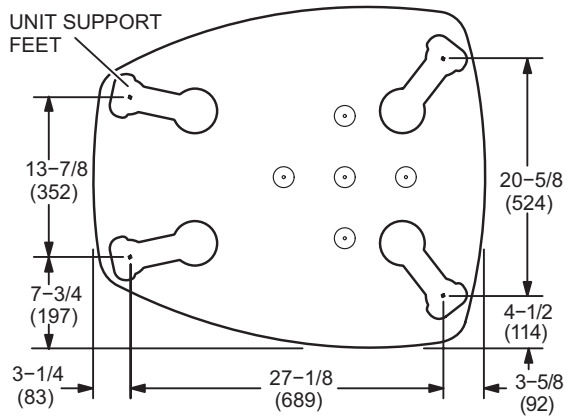
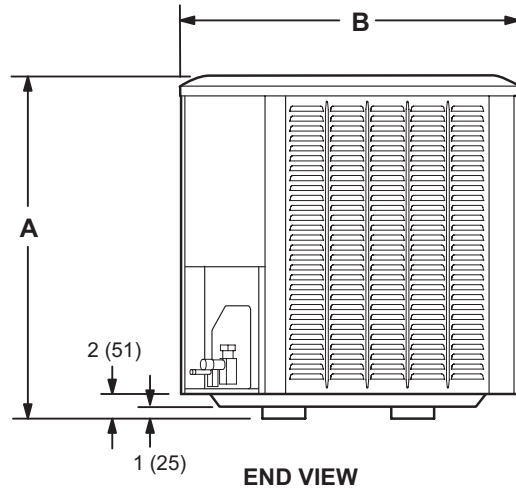
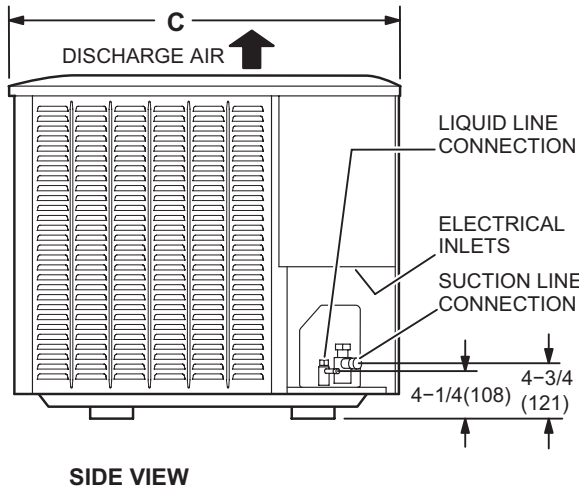
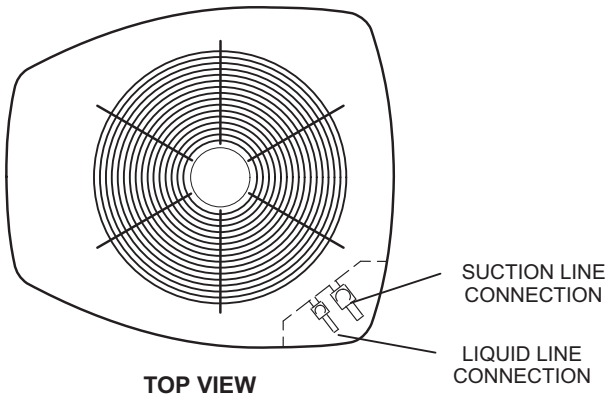
Clearance to one of the other three sides must be 36 in. (914 mm)

Clearance to one of the remaining two sides may be 12 in. (305 mm) and the final side may be 6 in. (152 mm).

A clearance of 24 in. (610 mm) must be maintained between two units.

48 in. (1219 mm) clearance required on top of unit.

DIMENSIONS - INCHES (MM)



Model No.	A		B		C	
	in.	mm	in.	mm	in.	mm
XC16-024	45	1143	30-1/2	775	35	889
XC16-036	31	787	30-1/2	775	35	889
XC16-048	39	991	30-1/2	775	35	889
XC16-060	45	1143	35-1/2	902	39-1/2	1003

TXV USAGE

Model No.	Order No.
XC16-024	37L51
XC16-036	37L51
XC16-048	91M02
XC16-060	91M02

CX34 upflow coils and all Lennox air handlers are shipped with a factory installed TXV. In most cases, no change out of the valve is needed.

If a change out is required it will be listed in the "TXV SUBSTITUTIONS" table. The correct TXV must be ordered and field installed. C33 coils and all horizontal and downflow coils are shipped without a TXV. The TXV must be ordered and field installed.

MOST POPULAR MATCHES

Outdoor Unit Model No.	Indoor Unit Model No
XC16-024	CX34-36B with SL280UH090V36B
XC16-036	CX34-43C with SL280UH090V60C
XC16-048	CX34-62C with SL280UH090V60C
XC16-060	CX34-62C with SL280UH090V60C

*TXV SUBSTITUTIONS

Indoor Coils/Air Handlers with factory installed expansion valves that require field replacement

Model No.	Indoor Coil or Air Handler	Factory TXV	Replacement TXV
XC16-036	CX34-42	49L25	37L51
XC16-036	CX34-43	49L25	37L51
XC16-036	CX34-44/48	49L25	37L51
XC16-036	CX34-49	91M02	37L51
XC16-036	CBX27UH-042	91M02	37L51
XC16-036	CBX32M-042	91M02	37L51
XC16-036	CBX32MV-048	91M02	37L51
XC16-036	CBX40UHV-042	91M02	37L51
XC16-036	CBX40UHV-048	91M02	37L51

*Factory installed expansion valve on the indoor coil or air handler shown must be replaced with the expansion valve listed (ordered separately).

AHRI STANDARD 210/240

Cooling or heating capacities are net values, including the effects of blower motor heat, and do not include supplementary heat. Power input is the total power input to the compressor(s) and fan(s), plus any controls and other items required as part of the system for normal operation.

Units which do not have an indoor air-circulating blower furnished as part of the model, i.e., split system with indoor coil only, is established by subtracting from the total cooling capacity 1250 Btu/h per 1,000 cfm, and by adding the same amount to the heating capacity. Total power input for both heating and cooling is increased by 365 W per 1,000 cfm of indoor air circulated.

AHRI SYSTEM MATCHES

NOTE - For the latest up-to-date system matches please visit the AHRI web site at <http://www.ahridirectory.org>

Model No.	Expansion Device	Capacity	SEER	EER	Coil or Air Handler	Furnace	AHRI Reference
XC16-024-230	TXV	24,200	16.00	13.00	C33-19	CBWMV-24B-040	6742592
XC16-024-230	TXV	24,400	16.50	13.00	C33-19	SL280UH070V36A	6742551
XC16-024-230	TXV	23,800	14.00	11.50	C33-19		6742549
XC16-024-230	TXV	23,600	15.00	12.50	C33-24	EL296UH045XV36B	6742541
XC16-024-230	TXV	23,600	15.50	12.50	C33-24	SL280UH070V36A	6742543
XC16-024-230	TXV	23,400	15.00	12.50	C33-24	SL280UH090V36B	6742545
XC16-024-230	TXV	23,600	15.00	12.50	C33-24	SLP98UH070XV36B	6742547
XC16-024-230	TXV	24,800	16.00	13.00	C33-25	EL296UH045XV36B	6742561
XC16-024-230	TXV	24,800	16.50	13.00	C33-25	SL280UH070V36A	6742553
XC16-024-230	TXV	24,600	16.00	13.00	C33-25	SL280UH090V36B	6742555
XC16-024-230	TXV	24,600	16.00	13.00	C33-25	SLP98UH070XV36B	6742557
XC16-024-230	TXV	24,200	14.00	12.00	C33-25		6742559
XC16-024-230	TXV	24,000	15.50	12.50	C33-30	EL296UH045XV36B	6742563
XC16-024-230	TXV	25,200	16.50	13.50	C33-31	EL296UH045XV36B	6742569
XC16-024-230	TXV	25,200	17.00	13.50	C33-31	SL280UH070V36A	6742565
XC16-024-230	TXV	25,400	17.00	13.50	C33-31	SL280UH070XV36A	6742593
XC16-024-230	TXV	25,000	16.00	13.50	C33-31	SL280UH090V36B	6742571
XC16-024-230	TXV	25,200	16.50	13.50	C33-31	SLP98UH070XV36B	6742573
XC16-024-230	TXV	24,600	14.50	12.00	C33-31		6742567
XC16-024-230	TXV	24,600	16.00	13.00	C33-36	CBWMV-24B-040	6742594
XC16-024-230	TXV	24,600	16.00	13.00	C33-36	EL296UH045XV36B	6742579
XC16-024-230	TXV	24,600	16.50	13.00	C33-36	SL280UH070V36A	6742575
XC16-024-230	TXV	24,800	16.50	13.50	C33-36	SL280UH070XV36A	6742595
XC16-024-230	TXV	24,400	16.00	13.00	C33-36	SL280UH090V36B	6742500
XC16-024-230	TXV	24,600	16.00	13.00	C33-36	SLP98UH070XV36B	6742581
XC16-024-230	TXV	24,600	16.50	13.50	C33-36	SLP98UH090XV36C	6742596
XC16-024-230	TXV	24,000	14.00	11.50	C33-36		6742577
XC16-024-230	TXV	25,400	16.50	13.50	C33-38	EL296UH045XV36B	6742587
XC16-024-230	TXV	25,400	17.00	13.50	C33-38	SL280UH070V36A	6742583
XC16-024-230	TXV	25,400	17.00	13.50	C33-38	SL280UH070XV36A	6742597
XC16-024-230	TXV	25,200	16.50	13.50	C33-38	SL280UH090V36B	6742589
XC16-024-230	TXV	25,200	16.50	13.50	C33-38	SLP98UH070XV36B	6742591
XC16-024-230	TXV	24,800	14.50	12.20	C33-38		6742585
XC16-024-230	TXV	24,200	13.00	12.00	CBX25UH-024		6742598
XC16-024-230	TXV	24,000	16.00	13.00	CBX25UHV-024		6970136
XC16-024-230	TXV	25,000	16.00	13.50	CBX27UH-024		6742502
XC16-024-230	TXV	25,200	17.00	13.50	CBX27UH-030		6742503
XC16-024-230	TXV	24,400	14.50	12.00	CBX32M-018/024		6742504
XC16-024-230	TXV	24,400	15.50	12.20	CBX32MV-018/024		6742505
XC16-024-230	TXV	24,600	15.50	12.50	CBX32MV-024/030		6742506
XC16-024-230	TXV	24,800	16.00	12.50	CBX40UHV-024		6742599
XC16-024-230	TXV	24,800	15.50	13.00	CBX40UHV-030		6742600
XC16-024-230	TXV	23,600	15.50	13.00	CH23-31	EL296UH070XV36B	6742601
XC16-024-230	TXV	23,600	16.00	12.50	CH23-31	SL280UH070V36A	6742508
XC16-024-230	TXV	23,800	16.00	13.00	CH23-31	SL280UH070XV36A	6742602
XC16-024-230	TXV	23,400	15.00	12.50	CH23-31	SL280UH090V36B	6742509
XC16-024-230	TXV	23,600	15.50	13.00	CH23-31	SLP98UH070XV36B	6742510

Ratings AHRI Certified to AHRI Standard 210/240 (with 25 ft. of connecting refrigerant lines); 95°F outdoor air temperature, 80°F db / 67°F wb entering evaporator air. All ratings include the use of a blower time delay relay (TDR). All Lennox variable-speed furnaces and Air Handlers have time delay capabilities. Other Furnaces and Air Handlers may require an optional time delay relay (**58M81**) for field installation. See furnace or air handler specifications to determine if relay is needed. Also see Expansion Valve Kit Usage Table.

AHRI SYSTEM MATCHES

NOTE - For the latest up-to-date system matches please visit the AHRI web site at <http://www.ahridirectory.org>

Model No.	Expansion Device	Capacity	SEER	EER	Coil or Air Handler	Furnace	AHRI Reference
XC16-024-230	TXV	23,000	13.00	11.00	CH23-31		6742507
XC16-024-230	TXV	24,600	16.50	13.00	CH23-41	EL296UH070XV36B	6742603
XC16-024-230	TXV	24,800	16.50	13.00	CH23-41	SL280UH070V36A	6742512
XC16-024-230	TXV	24,800	16.50	13.50	CH23-41	SL280UH070XV36A	6742604
XC16-024-230	TXV	24,600	16.00	13.50	CH23-41	SL280UH090V36B	6742513
XC16-024-230	TXV	24,800	16.00	13.00	CH23-41	SL280UH090V48B	6742605
XC16-024-230	TXV	24,600	16.00	13.00	CH23-41	SLP98UH070XV36B	6742514
XC16-024-230	TXV	24,200	14.00	12.00	CH23-41		6742511
XC16-024-230	TXV	24,200	16.50	13.00	CH33-19	SL280UH070V36A	6742516
XC16-024-230	TXV	24,400	16.50	13.00	CH33-19	SL280UH070XV36A	6742606
XC16-024-230	TXV	23,600	14.00	11.50	CH33-19		6742515
XC16-024-230	TXV	24,200	16.00	13.00	CH33-24/30	SL280UH070V36A	6742518
XC16-024-230	TXV	23,600	14.00	11.50	CH33-24/30		6742517
XC16-024-230	TXV	24,600	16.00	13.00	CH33-25	EL296UH045XV36B	6742522
XC16-024-230	TXV	24,600	16.50	13.00	CH33-25	EL296UH070XV36B	6742607
XC16-024-230	TXV	24,800	16.50	13.00	CH33-25	SL280UH070V36A	6742520
XC16-024-230	TXV	25,000	16.50	13.00	CH33-25	SL280UH070XV36A	6742608
XC16-024-230	TXV	24,400	16.00	13.00	CH33-25	SL280UH090V36B	6742523
XC16-024-230	TXV	24,800	16.00	13.00	CH33-25	SL280UH090V48B	6742609
XC16-024-230	TXV	24,600	16.00	13.00	CH33-25	SLP98UH070XV36B	6742524
XC16-024-230	TXV	24,200	14.50	12.00	CH33-25A		6742519
XC16-024-230	TXV	24,000	14.00	11.50	CH33-25B		6742521
XC16-024-230	TXV	25,200	16.50	13.50	CH33-31	EL296UH045XV36B	6742528
XC16-024-230	TXV	25,200	17.00	13.50	CH33-31	EL296UH070XV36B	6742610
XC16-024-230	TXV	25,200	17.00	13.50	CH33-31	SL280UH070V36A	6742526
XC16-024-230	TXV	25,400	17.00	13.50	CH33-31	SL280UH070XV36A	6742611
XC16-024-230	TXV	25,200	16.50	13.50	CH33-31	SL280UH090V36B	6742529
XC16-024-230	TXV	25,400	16.50	13.50	CH33-31	SL280UH090V48B	6742612
XC16-024-230	TXV	25,200	16.50	13.50	CH33-31	SLP98UH070XV36B	6742530
XC16-024-230	TXV	24,600	14.50	12.00	CH33-31A		6742525
XC16-024-230	TXV	24,800	14.50	12.20	CH33-31B		6742527
XC16-024-230	TXV	24,600	16.00	13.00	CH33-36	EL296UH045XV36B	6742534
XC16-024-230	TXV	24,600	16.50	13.00	CH33-36	EL296UH070XV36B	6742613
XC16-024-230	TXV	24,600	16.50	13.00	CH33-36	SL280UH070V36A	6742532
XC16-024-230	TXV	24,600	16.50	13.00	CH33-36	SL280UH070XV36A	6742614
XC16-024-230	TXV	24,400	15.50	13.00	CH33-36	SL280UH090V36B	6742535
XC16-024-230	TXV	24,600	16.30	13.00	CH33-36	SLP98UH070XV36B	6742536
XC16-024-230	TXV	24,000	14.00	11.50	CH33-36A		6742531
XC16-024-230	TXV	24,000	14.00	11.50	CH33-36B		6742533
XC16-024-230	TXV	24,800	16.50	13.50	CH33-36C	EL296UH090XV36C	6742615
XC16-024-230	TXV	24,800	16.50	13.50	CH33-36C	SLP98UH090XV36C	6742616
XC16-024-230	TXV	25,200	17.00	13.50	CR33-30/36	EL296DF045V36B	6742538
XC16-024-230	TXV	25,200	16.50	13.00	CR33-30/36	EL296DF070XV48B	6742539
XC16-024-230	TXV	25,200	16.50	13.00	CR33-30/36	SL280DF070V36A	6742830
XC16-024-230	TXV	24,600	16.50	13.50	CR33-30/36	SLP98DF070XV36B	6742617
XC16-024-230	TXV	25,000	16.50	13.50	CR33-30/36	SLP98DF090XV36C	6742618
XC16-024-230	TXV	24,400	14.50	12.00	CR33-30/36		6742537

Ratings AHRI Certified to AHRI Standard 210/240 (with 25 ft. of connecting refrigerant lines); 95°F outdoor air temperature, 80°F db / 67°F wb entering evaporator air.

All ratings include the use of a blower time delay relay (TDR). All Lennox variable-speed furnaces and Air Handlers have time delay capabilities. Other Furnaces and Air Handlers may require an optional time delay relay (58M81) for field installation. See furnace or air handler specifications to determine if relay is needed.

Also see Expansion Valve Kit Usage Table.

AHRI SYSTEM MATCHES

NOTE - For the latest up-to-date system matches please visit the AHRI web site at <http://www.ahridirectory.org>

Model No.	Expansion Device	Capacity	SEER	EER	Coil or Air Handler	Furnace	AHRI Reference
XC16-024-230	TXV	23,600	15.00	12.50	CX34-18/24	CBWMV-24B-040	6742620
XC16-024-230	TXV	23,600	15.00	12.50	CX34-18/24	EL296UH045XV36B	6742540
XC16-024-230	TXV	23,600	15.50	12.50	CX34-18/24	EL296UH070XV36B	6742621
XC16-024-230	TXV	23,600	15.50	12.50	CX34-18/24	SL280UH070V36A	6742542
XC16-024-230	TXV	23,800	15.50	12.50	CX34-18/24	SL280UH070XV36A	6742622
XC16-024-230	TXV	23,400	15.00	12.50	CX34-18/24	SL280UH090V36B	6742544
XC16-024-230	TXV	23,600	15.00	12.50	CX34-18/24	SLP98UH070XV36B	6742546
XC16-024-230	TXV	23,000	13.00	11.00	CX34-18/24		6742619
XC16-024-230	TXV	24,400	16.50	13.00	CX34-19	SL280UH070V36A	6742550
XC16-024-230	TXV	24,600	16.50	13.00	CX34-19	SL280UH070XV36A	6742623
XC16-024-230	TXV	23,800	14.00	11.50	CX34-19		6742548
XC16-024-230	TXV	24,800	16.00	13.00	CX34-25	EL296UH045XV36B	6742560
XC16-024-230	TXV	24,800	16.50	13.50	CX34-25	EL296UH070XV36B	6742624
XC16-024-230	TXV	24,800	16.50	13.00	CX34-25	SL280UH070V36A	6742552
XC16-024-230	TXV	24,800	16.50	13.00	CX34-25	SL280UH070XV36A	6742625
XC16-024-230	TXV	24,600	16.00	13.00	CX34-25	SL280UH090V36B	6742554
XC16-024-230	TXV	24,800	16.00	13.00	CX34-25	SL280UH090V48B	6742626
XC16-024-230	TXV	24,600	16.00	13.00	CX34-25	SLP98UH070XV36B	6742556
XC16-024-230	TXV	24,200	14.00	12.00	CX34-25		6742558
XC16-024-230	TXV	24,000	15.50	12.50	CX34-30	EL296UH045XV36B	6742562
XC16-024-230	TXV	25,200	16.50	13.50	CX34-31	EL296UH045XV36B	6742568
XC16-024-230	TXV	25,200	16.50	13.50	CX34-31	EL296UH070XV36B	6742627
XC16-024-230	TXV	25,200	17.00	13.50	CX34-31	SL280UH070V36A	6742564
XC16-024-230	TXV	25,400	17.00	13.50	CX34-31	SL280UH070XV36A	6742628
XC16-024-230	TXV	25,000	16.00	13.50	CX34-31	SL280UH090V36B	6742570
XC16-024-230	TXV	25,200	16.50	13.50	CX34-31	SL280UH090V48B	6742629
XC16-024-230	TXV	25,200	16.50	13.50	CX34-31	SLP98UH070XV36B	6742572
XC16-024-230	TXV	24,600	14.50	12.00	CX34-31		6742566
XC16-024-230	TXV	24,600	16.00	13.00	CX34-36	CBWMV-24B-040	6742630
XC16-024-230	TXV	24,600	16.00	13.00	CX34-36	EL296UH045XV36B	6742578
XC16-024-230	TXV	24,600	16.50	13.00	CX34-36	EL296UH070XV36B	6742631
XC16-024-230	TXV	24,600	16.50	13.50	CX34-36	EL296UH090XV36C	6742632
XC16-024-230	TXV	24,600	16.50	13.00	CX34-36	SL280UH070V36A	6742574
XC16-024-230	TXV	24,800	16.50	13.50	CX34-36	SL280UH070XV36A	6742633
XC16-024-230	TXV	24,400	16.00	13.00	CX34-36	SL280UH090V36B	6742499
XC16-024-230	TXV	24,600	16.00	13.00	CX34-36	SLP98UH070XV36B	6742580
XC16-024-230	TXV	24,600	16.50	13.50	CX34-36	SLP98UH090XV36C	6742634
XC16-024-230	TXV	24,000	14.00	11.50	CX34-36		6742576
XC16-024-230	TXV	25,400	16.50	13.50	CX34-38	EL296UH045XV36B	6742586
XC16-024-230	TXV	25,200	17.00	13.50	CX34-38	EL296UH070XV36B	6742635
XC16-024-230	TXV	25,400	17.00	13.50	CX34-38	SL280UH070V36A	6742582
XC16-024-230	TXV	25,400	17.00	13.50	CX34-38	SL280UH070XV36A	6742636
XC16-024-230	TXV	25,200	16.50	13.50	CX34-38	SL280UH090V36B	6742588
XC16-024-230	TXV	25,400	16.50	13.50	CX34-38	SL280UH090V48B	6742637
XC16-024-230	TXV	25,200	16.50	13.50	CX34-38	SLP98UH070XV36B	6742590
XC16-024-230	TXV	24,800	14.50	12.20	CX34-38		6742584
XC16-036-230	TXV	34,800	15.00	12.00	C33-36	CBWMV-36C-090	6508440

Ratings AHRI Certified to AHRI Standard 210/240 (with 25 ft. of connecting refrigerant lines); 95°F outdoor air temperature, 80°F db / 67°F wb entering evaporator air. All ratings include the use of a blower time delay relay (TDR). All Lennox variable-speed furnaces and Air Handlers have time delay capabilities. Other Furnaces and Air Handlers may require an optional time delay relay (**58M81**) for field installation. See furnace or air handler specifications to determine if relay is needed. Also see Expansion Valve Kit Usage Table.

AHRI SYSTEM MATCHES

NOTE - For the latest up-to-date system matches please visit the AHRI web site at <http://www.ahridirectory.org>

Model No.	Expansion Device	Capacity	SEER	EER	Coil or Air Handler	Furnace	AHRI Reference
XC16-036-230	TXV	35,000	14.50	11.70	C33-36	EL180UH045E36A	6508445
XC16-036-230	TXV	35,000	15.00	11.70	C33-36	EL180UH070E36B	6508452
XC16-036-230	TXV	34,800	14.50	11.00	C33-36	EL195UH045XE36B	6508034
XC16-036-230	TXV	34,800	14.50	11.70	C33-36	EL195UH070XE36B	6508039
XC16-036-230	TXV	34,600	14.50	11.00	C33-36	EL296UH045XE36B	6508552
XC16-036-230	TXV	34,800	15.00	11.70	C33-36	EL296UH045XV36B	6508057
XC16-036-230	TXV	34,800	14.50	11.00	C33-36	EL296UH070XE36B	6508558
XC16-036-230	TXV	34,800	15.00	12.00	C33-36	EL296UH090XV48C	6508470
XC16-036-230	TXV	35,000	15.00	12.20	C33-36	EL296UH110XV48C	6508063
XC16-036-230	TXV	35,400	15.00	12.20	C33-36	EL296UH110XV60C	6508509
XC16-036-230	TXV	35,000	15.00	11.70	C33-36	SL280UH070V36A	6508021
XC16-036-230	TXV	35,000	15.00	11.70	C33-36	SL280UH070XV36A	6508476
XC16-036-230	TXV	35,200	15.00	12.00	C33-36	SL280UH090V36B	6508069
XC16-036-230	TXV	35,000	15.00	12.00	C33-36	SL280UH090V48B	6508076
XC16-036-230	TXV	35,400	15.00	12.20	C33-36	SL280UH090V60C	6508082
XC16-036-230	TXV	35,200	15.00	12.20	C33-36	SL280UH090XV48B	6508482
XC16-036-230	TXV	35,400	15.50	12.20	C33-36	SL280UH090XV60C	6508488
XC16-036-230	TXV	35,200	15.00	12.00	C33-36	SL280UH110V60C	6508088
XC16-036-230	TXV	35,400	15.00	12.20	C33-36	SL280UH110XV60C	6508495
XC16-036-230	TXV	35,000	15.00	11.70	C33-36	SLP98UH070XV36B	6508094
XC16-036-230	TXV	35,000	15.00	12.00	C33-36	SLP98UH090XV36C	6508101
XC16-036-230	TXV	35,200	15.00	12.00	C33-36	SLP98UH090XV48C	6508107
XC16-036-230	TXV	35,600	15.00	12.00	C33-36	SLP98UH090XV60C	6508112
XC16-036-230	TXV	35,400	15.00	12.20	C33-36	SLP98UH110XV60C	6508118
XC16-036-230	TXV	34,400	13.00	11.00	C33-36		6508029
XC16-036-230	TXV	36,400	15.50	12.20	C33-38	EL180UH045E36A	6508518
XC16-036-230	TXV	36,400	15.50	12.20	C33-38	EL180UH045XE36A	6603408
XC16-036-230	TXV	36,400	15.50	12.20	C33-38	EL180UH070E36B	6508524
XC16-036-230	TXV	36,200	15.00	11.70	C33-38	EL195UH045XE36B	6508135
XC16-036-230	TXV	36,200	15.50	12.20	C33-38	EL195UH070XE36B	6508142
XC16-036-230	TXV	34,600	14.50	11.00	C33-38	EL296UH045XE36B	6508457
XC16-036-230	TXV	36,200	15.50	12.20	C33-38	EL296UH045XV36B	6508160
XC16-036-230	TXV	34,800	14.50	11.00	C33-38	EL296UH070XE36B	6508464
XC16-036-230	TXV	36,400	15.50	12.20	C33-38	EL296UH070XV36B	6693722
XC16-036-230	TXV	36,400	15.50	12.20	C33-38	SL280UH070V36A	6508124
XC16-036-230	TXV	36,400	15.50	12.20	C33-38	SL280UH070XV36A	6508537
XC16-036-230	TXV	36,600	15.50	12.50	C33-38	SL280UH090V36B	6508165
XC16-036-230	TXV	36,400	15.50	12.50	C33-38	SL280UH090V48B	6508171
XC16-036-230	TXV	36,600	15.50	12.50	C33-38	SL280UH090XV48B	6508543
XC16-036-230	TXV	36,400	15.50	12.20	C33-38	SLP98UH070XV36B	6508175
XC16-036-230	TXV	35,800	14.00	11.00	C33-38		6508129
XC16-036-230	TXV	34,800	14.50	11.00	C33-42	EL195UH045XE36B	6508187
XC16-036-230	TXV	34,800	14.50	11.70	C33-42	EL195UH070XE36B	6508192
XC16-036-230	TXV	34,600	14.50	11.00	C33-42	EL296UH045XE36B	6513840
XC16-036-230	TXV	34,800	15.00	11.70	C33-42	EL296UH045XV36B	6508199
XC16-036-230	TXV	34,800	14.50	11.00	C33-42	EL296UH070XE36B	6513841
XC16-036-230	TXV	35,000	15.00	11.70	C33-42	EL296UH070XV36B	6693724

Ratings AHRI Certified to AHRI Standard 210/240 (with 25 ft. of connecting refrigerant lines); 95°F outdoor air temperature, 80°F db / 67°F wb entering evaporator air.

All ratings include the use of a blower time delay relay (TDR). All Lennox variable-speed furnaces and Air Handlers have time delay capabilities. Other Furnaces and Air Handlers may require an optional time delay relay (58M81) for field installation. See furnace or air handler specifications to determine if relay is needed.

Also see Expansion Valve Kit Usage Table.

AHRI SYSTEM MATCHES

NOTE - For the latest up-to-date system matches please visit the AHRI web site at <http://www.ahridirectory.org>

Model No.	Expansion Device	Capacity	SEER	EER	Coil or Air Handler	Furnace	AHRI Reference
XC16-036-230	TXV	35,200	15.00	12.00	C33-42	SL280UH090V36B	6508211
XC16-036-230	TXV	35,000	15.00	12.00	C33-42	SL280UH090V48B	6508217
XC16-036-230	TXV	35,200	15.00	12.20	C33-42	SL280UH090XV48B	6508546
XC16-036-230	TXV	35,000	15.00	11.70	C33-42	SLP98UH070XV36B	6508222
XC16-036-230	TXV	34,400	13.00	11.00	C33-42		6508182
XC16-036-230	TXV	36,600	15.50	12.50	C33-43	CBWMV-36C-090	6508577
XC16-036-230	TXV	37,000	16.00	12.50	C33-43	CBWMV-60C-100	6508579
XC16-036-230	TXV	35,000	15.00	11.70	C33-43	EL180UH070E36B	6508571
XC16-036-230	TXV	36,600	15.50	12.20	C33-43	EL180UH070XE36B	6512856
XC16-036-230	TXV	36,400	15.00	11.70	C33-43	EL195UH045XE36B	6508255
XC16-036-230	TXV	36,400	15.50	12.20	C33-43	EL195UH070XE36B	6508262
XC16-036-230	TXV	36,400	15.00	11.70	C33-43	EL296UH045XE36B	6508586
XC16-036-230	TXV	36,600	15.50	12.20	C33-43	EL296UH045XV36B	6508228
XC16-036-230	TXV	36,400	15.00	12.00	C33-43	EL296UH070XE36B	6508591
XC16-036-230	TXV	36,600	15.50	12.20	C33-43	EL296UH070XV36B	6508619
XC16-036-230	TXV	36,600	16.00	12.50	C33-43	EL296UH110XV48C	6508274
XC16-036-230	TXV	37,000	16.00	12.50	C33-43	SL280UH090V36B	6508233
XC16-036-230	TXV	36,000	16.00	12.50	C33-43	SL280UH090V48B	6508238
XC16-036-230	TXV	36,000	16.00	12.50	C33-43	SL280UH090XV48B	6508604
XC16-036-230	TXV	37,000	16.00	12.50	C33-43	SL280UH090XV60C	6508607
XC16-036-230	TXV	36,800	16.00	12.50	C33-43	SL280UH110V60C	6507585
XC16-036-230	TXV	36,800	15.50	12.50	C33-43	SL280UH110XV60C	6508279
XC16-036-230	TXV	36,600	15.50	12.20	C33-43	SLP98UH070XV36B	6508244
XC16-036-230	TXV	36,800	15.50	12.50	C33-43	SLP98UH090XV36C	6508285
XC16-036-230	TXV	36,800	16.00	12.50	C33-43	SLP98UH090XV48C	6508291
XC16-036-230	TXV	37,200	16.00	12.50	C33-43	SLP98UH090XV60C	6508296
XC16-036-230	TXV	37,000	15.50	12.50	C33-43	SLP98UH110XV60C	6508302
XC16-036-230	TXV	36,200	14.00	11.70	C33-43		6508251
XC16-036-230	TXV	36,000	15.50	12.00	C33-48	EL180UH070E36B	6508641
XC16-036-230	TXV	35,800	14.50	11.70	C33-48	EL195UH045XE36B	6508337
XC16-036-230	TXV	35,600	14.50	12.00	C33-48	EL195UH070XE36B	6508343
XC16-036-230	TXV	35,800	14.50	11.70	C33-48	EL296UH045XE36B	6508646
XC16-036-230	TXV	36,000	15.50	12.20	C33-48	EL296UH045XV36B	6508307
XC16-036-230	TXV	35,800	15.00	11.70	C33-48	EL296UH070XE36B	6508653
XC16-036-230	TXV	36,000	15.50	12.00	C33-48	EL296UH070XV36B	6693723
XC16-036-230	TXV	36,200	15.50	12.50	C33-48	EL296UH110XV48C	6508354
XC16-036-230	TXV	36,200	15.50	12.20	C33-48	SL280UH090V36B	6508313
XC16-036-230	TXV	36,200	15.00	12.50	C33-48	SL280UH090V48B	6508320
XC16-036-230	TXV	36,600	15.50	12.50	C33-48	SL280UH090V60C	6508662
XC16-036-230	TXV	36,200	15.50	12.50	C33-48	SL280UH090XV48B	6508634
XC16-036-230	TXV	36,600	15.50	12.50	C33-48	SL280UH090XV60C	6508361
XC16-036-230	TXV	36,400	15.50	12.50	C33-48	SL280UH110V60C	6508367
XC16-036-230	TXV	36,400	15.50	12.50	C33-48	SL280UH110XV60C	6508665
XC16-036-230	TXV	36,000	15.50	12.00	C33-48	SLP98UH070XV36B	6508325
XC16-036-230	TXV	36,200	15.50	12.50	C33-48	SLP98UH090XV36C	6508373
XC16-036-230	TXV	36,400	15.50	12.20	C33-48	SLP98UH090XV48C	6508379
XC16-036-230	TXV	36,600	15.50	12.20	C33-48	SLP98UH090XV60C	6508384

Ratings AHRI Certified to AHRI Standard 210/240 (with 25 ft. of connecting refrigerant lines); 95°F outdoor air temperature, 80°F db / 67°F wb entering evaporator air. All ratings include the use of a blower time delay relay (TDR). All Lennox variable-speed furnaces and Air Handlers have time delay capabilities. Other Furnaces and Air Handlers may require an optional time delay relay (**58M81**) for field installation. See furnace or air handler specifications to determine if relay is needed. Also see Expansion Valve Kit Usage Table.

AHRI SYSTEM MATCHES

NOTE - For the latest up-to-date system matches please visit the AHRI web site at <http://www.ahridirectory.org>

Model No.	Expansion Device	Capacity	SEER	EER	Coil or Air Handler	Furnace	AHRI Reference
XC16-036-230	TXV	36,400	15.50	12.50	C33-48	SLP98UH110XV60C	6508390
XC16-036-230	TXV	35,600	13.00	11.00	C33-48		6508331
XC16-036-230	TXV	37,000	15.50	12.50	C33-49	EL296UH090XV36C	6508686
XC16-036-230	TXV	37,600	16.00	12.50	C33-49	SL280UH090V60C	6508401
XC16-036-230	TXV	37,600	16.00	12.50	C33-49	SL280UH090XV60C	6508694
XC16-036-230	TXV	37,200	15.50	12.50	C33-49	SL280UH110V60C	6508408
XC16-036-230	TXV	37,400	16.00	12.50	C33-49	SL280UH110XV60C	6508697
XC16-036-230	TXV	37,000	16.00	12.50	C33-49	SLP98UH090XV36C	6508414
XC16-036-230	TXV	37,400	16.00	12.50	C33-49	SLP98UH090XV48C	6508419
XC16-036-230	TXV	37,600	16.00	12.50	C33-49	SLP98UH090XV60C	6508425
XC16-036-230	TXV	37,400	16.00	12.50	C33-49	SLP98UH110XV60C	6508431
XC16-036-230	TXV	36,400	14.00	11.70	C33-49		6508395
XC16-036-230	TXV	36,400	16.00	12.50	C33-50/60C	EL296UH110XV48C	6508437
XC16-036-230	TXV	34,800	13.00	11.00	CBX25UH-030		6508712
XC16-036-230	TXV	35,400	15.00	12.00	CBX25UHV-030		6970137
XC16-036-230	TXV	36,000	15.50	12.20	CBX25UHV-036		6970138
XC16-036-230	TXV	37,000	16.00	13.00	CBX25UHV-042		7040824
XC16-036-230	TXV	35,800	15.00	12.20	CBX27UH-036		6507591
XC16-036-230	TXV	37,000	16.00	12.50	CBX27UH-042		6507593
XC16-036-230	TXV	35,200	14.50	11.70	CBX32M-030		6507595
XC16-036-230	TXV	35,400	14.50	11.70	CBX32M-036		6507596
XC16-036-230	TXV	35,600	14.50	11.70	CBX32M-042		6507598
XC16-036-230	TXV	35,600	15.00	12.00	CBX32MV-024/030		6507601
XC16-036-230	TXV	36,000	15.50	12.00	CBX32MV-036		6507604
XC16-036-230	TXV	37,000	16.00	12.50	CBX32MV-048		6507605
XC16-036-230	TXV	35,400	15.00	11.70	CBX40UHV-030		6508718
XC16-036-230	TXV	35,200	15.00	12.00	CBX40UHV-036		6508721
XC16-036-230	TXV	36,600	15.50	12.20	CBX40UHV-042		6508725
XC16-036-230	TXV	36,600	15.00	12.50	CBX40UHV-048		6508727
XC16-036-230	TXV	35,600	15.00	12.00	CH23-41	EL180UH070E36B	6508733
XC16-036-230	TXV	35,600	14.50	11.70	CH23-41	EL195UH045XE36B	6507612
XC16-036-230	TXV	35,400	15.00	12.00	CH23-41	EL195UH070XE36B	6507615
XC16-036-230	TXV	35,200	14.50	11.00	CH23-41	EL296UH045XE36B	6508736
XC16-036-230	TXV	35,200	14.50	11.00	CH23-41	EL296UH070XE36B	6508739
XC16-036-230	TXV	35,400	15.50	12.00	CH23-41	EL296UH070XV36B	6508730
XC16-036-230	TXV	35,600	15.50	12.20	CH23-41	EL296UH090XV36C	6508742
XC16-036-230	TXV	35,400	15.50	12.20	CH23-41	EL296UH090XV48C	6508745
XC16-036-230	TXV	36,000	15.50	12.20	CH23-41	EL296UH090XV60C	6508748
XC16-036-230	TXV	35,600	15.50	12.50	CH23-41	EL296UH110XV48C	6507618
XC16-036-230	TXV	36,000	15.50	12.50	CH23-41	EL296UH110XV60C	6508750
XC16-036-230	TXV	35,400	15.50	12.50	CH23-41	SL280UH090V36B	6507624
XC16-036-230	TXV	35,600	15.00	12.50	CH23-41	SL280UH090V48B	6507626
XC16-036-230	TXV	36,000	15.50	12.50	CH23-41	SL280UH090V60C	6507629
XC16-036-230	TXV	35,600	15.50	12.50	CH23-41	SL280UH090XV48B	6508754
XC16-036-230	TXV	36,000	15.50	12.50	CH23-41	SL280UH090XV60C	6508756
XC16-036-230	TXV	35,800	15.50	12.20	CH23-41	SL280UH110V60C	6507633
XC16-036-230	TXV	35,800	15.50	12.20	CH23-41	SL280UH110XV60C	6508759

Ratings AHRI Certified to AHRI Standard 210/240 (with 25 ft. of connecting refrigerant lines); 95°F outdoor air temperature, 80°F db / 67°F wb entering evaporator air.

All ratings include the use of a blower time delay relay (TDR). All Lennox variable-speed furnaces and Air Handlers have time delay capabilities. Other Furnaces and Air Handlers may require an optional time delay relay (58M81) for field installation. See furnace or air handler specifications to determine if relay is needed.

Also see Expansion Valve Kit Usage Table.

AHRI SYSTEM MATCHES

NOTE - For the latest up-to-date system matches please visit the AHRI web site at <http://www.ahridirectory.org>

Model No.	Expansion Device	Capacity	SEER	EER	Coil or Air Handler	Furnace	AHRI Reference
XC16-036-230	TXV	35,400	15.50	12.00	CH23-41	SLP98UH070XV36B	6507637
XC16-036-230	TXV	35,600	15.50	12.20	CH23-41	SLP98UH090XV36C	6507641
XC16-036-230	TXV	35,400	15.50	12.20	CH23-41	SLP98UH090XV48C	6507644
XC16-036-230	TXV	36,000	15.50	12.20	CH23-41	SLP98UH090XV60C	6507650
XC16-036-230	TXV	36,000	15.50	12.50	CH23-41	SLP98UH110XV60C	6507653
XC16-036-230	TXV	35,000	13.00	11.00	CH23-41		6507610
XC16-036-230	TXV	35,600	15.00	12.50	CH23-51	EL180UH070E36B	6507667
XC16-036-230	TXV	35,600	15.00	11.70	CH23-51	EL195UH045XE36B	6507657
XC16-036-230	TXV	35,600	15.00	12.20	CH23-51	EL195UH070XE36B	6507659
XC16-036-230	TXV	35,200	14.50	11.00	CH23-51	EL296UH045XE36B	6508762
XC16-036-230	TXV	35,400	14.50	11.70	CH23-51	EL296UH070XE36B	6508765
XC16-036-230	TXV	35,800	15.50	12.50	CH23-51	EL296UH110XV48C	6507664
XC16-036-230	TXV	36,000	15.50	12.00	CH23-65	EL180UH070E36B	6508775
XC16-036-230	TXV	36,000	15.00	11.70	CH23-65	EL195UH045XE36B	6507675
XC16-036-230	TXV	36,000	15.00	12.20	CH23-65	EL195UH070XE36B	6507678
XC16-036-230	TXV	35,600	14.50	11.70	CH23-65	EL296UH045XE36B	6508778
XC16-036-230	TXV	35,800	15.00	11.70	CH23-65	EL296UH070XE36B	6508781
XC16-036-230	TXV	36,200	15.50	12.50	CH23-65	EL296UH090XV36C	6508772
XC16-036-230	TXV	36,000	15.50	12.50	CH23-65	EL296UH090XV48C	6508784
XC16-036-230	TXV	36,600	16.00	12.50	CH23-65	EL296UH090XV60C	6508787
XC16-036-230	TXV	36,400	16.00	12.50	CH23-65	EL296UH110XV60C	6508789
XC16-036-230	TXV	36,600	16.00	12.50	CH23-65	SL280UH090V60C	6507687
XC16-036-230	TXV	36,400	15.50	12.50	CH23-65	SL280UH090XV60C	6508795
XC16-036-230	TXV	36,400	15.50	12.50	CH23-65	SL280UH110V60C	6507691
XC16-036-230	TXV	36,600	16.00	12.50	CH23-65	SL280UH110XV60C	6508792
XC16-036-230	TXV	36,200	15.50	12.50	CH23-65	SLP98UH090XV36C	6507695
XC16-036-230	TXV	36,000	15.50	12.50	CH23-65	SLP98UH090XV48C	6507699
XC16-036-230	TXV	36,600	15.50	12.50	CH23-65	SLP98UH090XV60C	6507702
XC16-036-230	TXV	36,400	15.50	12.50	CH23-65	SLP98UH110XV60C	6507706
XC16-036-230	TXV	35,400	13.00	11.00	CH23-65		6507673
XC16-036-230	TXV	36,200	15.00	12.00	CH33-31	EL296UH045XV36B	6507710
XC16-036-230	TXV	34,800	15.00	11.70	CH33-36	EL296UH045XV36B	6507737
XC16-036-230	TXV	34,800	15.00	11.70	CH33-36	EL296UH070XV36B	6508798
XC16-036-230	TXV	35,600	15.00	12.20	CH33-36	EL296UH090XV36C	6508801
XC16-036-230	TXV	35,400	15.50	12.20	CH33-36	EL296UH090XV48C	6508804
XC16-036-230	TXV	36,000	15.50	12.20	CH33-36	EL296UH090XV60C	6508807
XC16-036-230	TXV	35,800	15.50	12.20	CH33-36	EL296UH110XV60C	6508810
XC16-036-230	TXV	35,000	15.00	12.00	CH33-36	SL280UH090V48B	6508814
XC16-036-230	TXV	36,000	15.50	12.20	CH33-36	SL280UH090V60C	6507766
XC16-036-230	TXV	35,000	15.00	12.00	CH33-36	SL280UH090XV48B	6507750
XC16-036-230	TXV	36,000	15.50	12.20	CH33-36	SL280UH090XV60C	6508817
XC16-036-230	TXV	35,800	15.00	12.20	CH33-36	SL280UH110V60C	6507770
XC16-036-230	TXV	35,800	15.50	12.20	CH33-36	SL280UH110XV60C	6508819
XC16-036-230	TXV	34,800	15.00	11.70	CH33-36	SLP98UH070XV36B	6507754
XC16-036-230	TXV	35,600	15.00	12.20	CH33-36	SLP98UH090XV36C	6507774
XC16-036-230	TXV	35,400	15.00	12.20	CH33-36	SLP98UH090XV48C	6507777
XC16-036-230	TXV	36,000	15.50	12.20	CH33-36	SLP98UH090XV60C	6507783

Ratings AHRI Certified to AHRI Standard 210/240 (with 25 ft. of connecting refrigerant lines); 95°F outdoor air temperature, 80°F db / 67°F wb entering evaporator air. All ratings include the use of a blower time delay relay (TDR). All Lennox variable-speed furnaces and Air Handlers have time delay capabilities. Other Furnaces and Air Handlers may require an optional time delay relay (**58M81**) for field installation. See furnace or air handler specifications to determine if relay is needed. Also see Expansion Valve Kit Usage Table.

AHRI SYSTEM MATCHES

NOTE - For the latest up-to-date system matches please visit the AHRI web site at <http://www.ahridirectory.org>

Model No.	Expansion Device	Capacity	SEER	EER	Coil or Air Handler	Furnace	AHRI Reference
XC16-036-230	TXV	35,800	15.50	12.20	CH33-36	SLP98UH110XV60C	6507786
XC16-036-230	TXV	35,400	15.00	11.70	CH33-36A	EL180UH045E36A	6508823
XC16-036-230	TXV	34,800	14.50	11.70	CH33-36A	SL280UH070V36A	6604856
XC16-036-230	TXV	34,800	14.50	11.70	CH33-36A	SL280UH070XV36A	6604858
XC16-036-230	TXV	35,400	15.00	11.70	CH33-36B	EL180UH070XE36B	6508826
XC16-036-230	TXV	34,600	14.50	11.00	CH33-36B	EL195UH045XE36B	6507730
XC16-036-230	TXV	34,800	14.50	11.70	CH33-36B	EL195UH070XE36B	6507735
XC16-036-230	TXV	35,200	14.50	11.00	CH33-36B	EL296UH045XE36B	6508828
XC16-036-230	TXV	35,200	15.00	11.00	CH33-36B	EL296UH070XE36B	6508831
XC16-036-230	TXV	35,200	15.00	12.00	CH33-36B	SL280UH070V36A	6604855
XC16-036-230	TXV	35,200	15.00	12.00	CH33-36B	SL280UH070XV36A	6604857
XC16-036-230	TXV	34,400	13.00	11.00	CH33-36B		6507726
XC16-036-230	TXV	35,600	15.50	12.20	CH33-36C	EL296UH110XV48C	6507762
XC16-036-230	TXV	35,000	13.00	11.00	CH33-36C		6507758
XC16-036-230	TXV	36,000	15.50	12.00	CH33-42	EL180UH070E36B	6508837
XC16-036-230	TXV	35,600	14.50	11.70	CH33-42	EL195UH045XE36B	6507793
XC16-036-230	TXV	35,600	14.50	11.70	CH33-42	EL195UH070XE36B	6507798
XC16-036-230	TXV	35,600	14.50	11.70	CH33-42	EL296UH045XE36B	6508839
XC16-036-230	TXV	35,800	15.00	11.70	CH33-42	EL296UH045XV36B	6507802
XC16-036-230	TXV	35,600	15.00	11.70	CH33-42	EL296UH070XE36B	6508842
XC16-036-230	TXV	35,800	15.00	12.00	CH33-42	EL296UH070XV36B	6508845
XC16-036-230	TXV	36,000	15.50	12.20	CH33-42	SL280UH090V36B	6507810
XC16-036-230	TXV	35,800	15.00	12.20	CH33-42	SL280UH090V48B	6507814
XC16-036-230	TXV	36,000	15.00	12.20	CH33-42	SL280UH090XV48B	6508834
XC16-036-230	TXV	35,800	15.00	12.00	CH33-42	SLP98UH070XV36B	6507819
XC16-036-230	TXV	35,400	13.00	11.00	CH33-42		6507790
XC16-036-230	TXV	37,200	16.00	12.50	CH33-43	EL180UH070E36B	6508853
XC16-036-230	TXV	37,000	15.00	12.00	CH33-43	EL195UH045XE36B	6507826
XC16-036-230	TXV	37,000	15.00	12.20	CH33-43	EL195UH070XE36B	6507832
XC16-036-230	TXV	37,000	15.00	12.00	CH33-43	EL296UH045XE36B	6508856
XC16-036-230	TXV	37,000	15.50	12.20	CH33-43	EL296UH045XV36B	6507835
XC16-036-230	TXV	37,000	15.50	12.20	CH33-43	EL296UH070XE36B	6508859
XC16-036-230	TXV	37,000	15.50	12.20	CH33-43	EL296UH070XV36B	6508862
XC16-036-230	TXV	36,800	15.50	12.50	CH33-43	EL296UH090XV36C	6508864
XC16-036-230	TXV	36,600	16.00	12.50	CH33-43	EL296UH090XV48C	6508868
XC16-036-230	TXV	37,200	16.00	12.50	CH33-43	EL296UH090XV60C	6508870
XC16-036-230	TXV	37,200	16.00	12.50	CH33-43	EL296UH110XV60C	6508873
XC16-036-230	TXV	37,600	16.00	12.50	CH33-43	SL280UH090V36B	6507842
XC16-036-230	TXV	36,000	16.00	12.50	CH33-43	SL280UH090V48B	6507846
XC16-036-230	TXV	37,200	16.00	12.50	CH33-43	SL280UH090V60C	6507862
XC16-036-230	TXV	36,000	16.00	12.50	CH33-43	SL280UH090XV48B	6508878
XC16-036-230	TXV	37,200	16.00	12.50	CH33-43	SL280UH090XV60C	6508848
XC16-036-230	TXV	37,000	15.50	12.50	CH33-43	SL280UH110V60C	6507866
XC16-036-230	TXV	37,000	16.00	12.50	CH33-43	SL280UH110XV60C	6508851
XC16-036-230	TXV	37,000	15.50	12.20	CH33-43	SLP98UH070XV36B	6507850
XC16-036-230	TXV	36,800	15.50	12.50	CH33-43	SLP98UH090XV36C	6507869
XC16-036-230	TXV	37,000	16.00	12.50	CH33-43	SLP98UH090XV48C	6507873

Ratings AHRI Certified to AHRI Standard 210/240 (with 25 ft. of connecting refrigerant lines); 95°F outdoor air temperature, 80°F db / 67°F wb entering evaporator air.

All ratings include the use of a blower time delay relay (TDR). All Lennox variable-speed furnaces and Air Handlers have time delay capabilities. Other Furnaces and Air Handlers may require an optional time delay relay (58M81) for field installation. See furnace or air handler specifications to determine if relay is needed.

Also see Expansion Valve Kit Usage Table.

AHRI SYSTEM MATCHES

NOTE - For the latest up-to-date system matches please visit the AHRI web site at <http://www.ahridirectory.org>

Model No.	Expansion Device	Capacity	SEER	EER	Coil or Air Handler	Furnace	AHRI Reference
XC16-036-230	TXV	37,200	16.00	12.50	CH33-43	SLP98UH090XV60C	6507876
XC16-036-230	TXV	37,200	16.00	12.50	CH33-43	SLP98UH110XV60C	6507879
XC16-036-230	TXV	36,800	14.00	11.70	CH33-43B		6507823
XC16-036-230	TXV	36,800	16.00	12.50	CH33-43C	EL296UH110XV48C	6507857
XC16-036-230	TXV	36,200	14.00	11.70	CH33-43C		6507854
XC16-036-230	TXV	36,400	15.50	12.20	CH33-44/48	EL180UH070E36B	6508883
XC16-036-230	TXV	36,200	15.00	11.70	CH33-44/48	EL180UH070XE36B	6508889
XC16-036-230	TXV	36,200	14.50	11.70	CH33-44/48	EL195UH045XE36B	6507888
XC16-036-230	TXV	36,200	15.00	11.70	CH33-44/48	EL195UH070XE36B	6507892
XC16-036-230	TXV	36,200	15.00	11.70	CH33-44/48	EL296UH045XE36B	6508886
XC16-036-230	TXV	36,200	15.00	12.00	CH33-44/48	EL296UH045XV36B	6507896
XC16-036-230	TXV	36,200	15.50	12.00	CH33-44/48	EL296UH070XV36B	6508892
XC16-036-230	TXV	36,800	15.50	12.50	CH33-44/48	SL280UH090V36B	6507904
XC16-036-230	TXV	36,400	15.00	12.20	CH33-44/48	SL280UH090V48B	6507912
XC16-036-230	TXV	36,400	15.50	12.20	CH33-44/48	SL280UH090XV48B	6508879
XC16-036-230	TXV	36,400	15.50	12.20	CH33-44/48	SLP98UH070XV36B	6507914
XC16-036-230	TXV	36,000	14.00	11.00	CH33-44/48		6507884
XC16-036-230	TXV	36,600	15.50	12.50	CH33-48	EL296UH090XV36C	6508901
XC16-036-230	TXV	36,400	15.50	12.50	CH33-48	EL296UH090XV48C	6508903
XC16-036-230	TXV	37,000	16.00	12.50	CH33-48	EL296UH090XV60C	6508907
XC16-036-230	TXV	36,800	16.00	12.50	CH33-48	EL296UH110XV60C	6508909
XC16-036-230	TXV	37,000	16.00	12.50	CH33-48	SL280UH090V60C	6507926
XC16-036-230	TXV	37,000	16.00	12.50	CH33-48	SL280UH090XV60C	6508898
XC16-036-230	TXV	36,800	15.50	12.50	CH33-48	SL280UH110V60C	6507930
XC16-036-230	TXV	36,800	15.50	12.50	CH33-48	SL280UH110XV60C	6508895
XC16-036-230	TXV	36,600	15.50	12.50	CH33-48	SLP98UH090XV36C	6507934
XC16-036-230	TXV	36,800	16.00	12.50	CH33-48	SLP98UH090XV48C	6507938
XC16-036-230	TXV	37,000	15.50	12.50	CH33-48	SLP98UH090XV60C	6507942
XC16-036-230	TXV	36,800	15.50	12.50	CH33-48	SLP98UH110XV60C	6507945
XC16-036-230	TXV	36,000	14.00	11.00	CH33-48		6507918
XC16-036-230	TXV	36,600	16.00	12.50	CH33-48C	EL296UH110XV48C	6507922
XC16-036-230	TXV	37,000	16.00	12.50	CH33-50/60C	EL296UH110XV48C	6507949
XC16-036-230	TXV	35,600	15.00	11.70	CR33-30/36	EL180DF070E36B	6508939
XC16-036-230	TXV	35,200	14.50	11.00	CR33-30/36	EL195DF045XE36B	6507961
XC16-036-230	TXV	35,400	15.50	12.00	CR33-30/36	EL296DF045V36B	6507969
XC16-036-230	TXV	35,200	14.50	11.00	CR33-30/36	EL296DF045XE36B	6508936
XC16-036-230	TXV	35,600	15.00	12.00	CR33-30/36	EL296DF070V48B	6507973
XC16-036-230	TXV	35,600	15.00	12.00	CR33-30/36	EL296DF090XV60C	6508933
XC16-036-230	TXV	35,600	15.00	12.00	CR33-30/36	EL296DF110XV60C	6508930
XC16-036-230	TXV	35,400	15.00	11.70	CR33-30/36	SL280DF070V36A	6507953
XC16-036-230	TXV	35,200	15.00	11.70	CR33-30/36	SL280DF070XV36A48B	6508927
XC16-036-230	TXV	35,600	15.00	12.00	CR33-30/36	SL280DF090V48B	6507976
XC16-036-230	TXV	35,600	15.00	12.00	CR33-30/36	SL280DF090V48B	6507980
XC16-036-230	TXV	36,000	15.50	12.20	CR33-30/36	SL280DF090V60C	6507984
XC16-036-230	TXV	35,600	15.50	12.20	CR33-30/36	SL280DF110V60C	6507987
XC16-036-230	TXV	35,200	15.00	12.00	CR33-30/36	SLP98DF070XV36B	6508925
XC16-036-230	TXV	35,400	15.00	12.00	CR33-30/36	SLP98DF090XV36C	6508922

Ratings AHRI Certified to AHRI Standard 210/240 (with 25 ft. of connecting refrigerant lines); 95°F outdoor air temperature, 80°F db / 67°F wb entering evaporator air. All ratings include the use of a blower time delay relay (TDR). All Lennox variable-speed furnaces and Air Handlers have time delay capabilities. Other Furnaces and Air Handlers may require an optional time delay relay (**58M81**) for field installation. See furnace or air handler specifications to determine if relay is needed. Also see Expansion Valve Kit Usage Table.

AHRI SYSTEM MATCHES

NOTE - For the latest up-to-date system matches please visit the AHRI web site at <http://www.ahridirectory.org>

Model No.	Expansion Device	Capacity	SEER	EER	Coil or Air Handler	Furnace	AHRI Reference
XC16-036-230	TXV	35,400	15.00	12.20	CR33-30/36	SLP98DF090XV48C	6508919
XC16-036-230	TXV	35,800	15.00	12.00	CR33-30/36	SLP98DF090XV60C	6508916
XC16-036-230	TXV	35,800	15.50	12.20	CR33-30/36	SLP98DF110XV60C	6508912
XC16-036-230	TXV	35,000	13.00	11.00	CR33-30/36		6507958
XC16-036-230	TXV	36,200	15.00	12.00	CR33-48	EL180DF070E36B	6508957
XC16-036-230	TXV	36,000	15.00	11.70	CR33-48	EL195DF045XE36B	6508005
XC16-036-230	TXV	36,000	15.00	12.20	CR33-48	EL195DF070XE48B	6508008
XC16-036-230	TXV	35,800	15.50	12.00	CR33-48	EL296DF045V36B	6507991
XC16-036-230	TXV	35,800	14.50	11.70	CR33-48	EL296DF045XE36B	6508960
XC16-036-230	TXV	36,000	15.00	12.00	CR33-48	EL296DF070V48B	6507993
XC16-036-230	TXV	35,800	14.50	12.20	CR33-48	EL296DF070XE48B	6508962
XC16-036-230	TXV	36,200	15.50	12.20	CR33-48	EL296DF090XV60C	6508964
XC16-036-230	TXV	36,200	15.50	12.20	CR33-48	EL296DF110XV60C	6508966
XC16-036-230	TXV	36,200	15.50	12.20	CR33-48	SL280DF090V48B	6507996
XC16-036-230	TXV	36,200	15.50	12.20	CR33-48	SL280DF090V48B	6507999
XC16-036-230	TXV	36,600	15.50	12.50	CR33-48	SL280DF090V60C	6508013
XC16-036-230	TXV	36,200	15.50	12.50	CR33-48	SL280DF110V60C	6508016
XC16-036-230	TXV	35,800	15.50	12.20	CR33-48	SLP98DF070XV36B	6508953
XC16-036-230	TXV	36,000	15.50	12.20	CR33-48	SLP98DF090XV36C	6508951
XC16-036-230	TXV	36,000	15.50	12.20	CR33-48	SLP98DF090XV48C	6508949
XC16-036-230	TXV	36,200	15.50	12.20	CR33-48	SLP98DF090XV60C	6508945
XC16-036-230	TXV	36,200	15.50	12.20	CR33-48	SLP98DF110XV60C	6508942
XC16-036-230	TXV	35,400	13.00	11.00	CR33-48		6508002
XC16-036-230	TXV	34,800	15.00	12.00	CX34-36	CBWMV-36C-090	6508442
XC16-036-230	TXV	35,000	14.50	11.70	CX34-36	EL180UH045E36A	6508450
XC16-036-230	TXV	35,000	15.00	11.70	CX34-36	EL180UH070E36B	6508454
XC16-036-230	TXV	34,800	14.50	11.00	CX34-36	EL195UH045XE36B	6508031
XC16-036-230	TXV	34,800	14.50	11.70	CX34-36	EL195UH070XE36B	6508036
XC16-036-230	TXV	34,600	14.50	11.00	CX34-36	EL296UH045XE36B	6508460
XC16-036-230	TXV	34,800	15.00	11.70	CX34-36	EL296UH045XV36B	6508054
XC16-036-230	TXV	34,800	14.50	11.00	CX34-36	EL296UH070XE36B	6508467
XC16-036-230	TXV	35,000	15.00	11.70	CX34-36	EL296UH070XV36B	6960775
XC16-036-230	TXV	35,000	15.00	12.00	CX34-36	EL296UH090XV36C	6508504
XC16-036-230	TXV	34,800	15.00	12.00	CX34-36	EL296UH090XV48C	6508473
XC16-036-230	TXV	35,000	15.00	12.20	CX34-36	EL296UH110XV48C	6508060
XC16-036-230	TXV	35,400	15.00	12.20	CX34-36	EL296UH110XV60C	6508506
XC16-036-230	TXV	35,000	15.00	11.70	CX34-36	SL280UH070V36A	6508018
XC16-036-230	TXV	35,000	15.00	11.70	CX34-36	SL280UH070XV36A	6508479
XC16-036-230	TXV	35,200	15.00	12.00	CX34-36	SL280UH090V36B	6508066
XC16-036-230	TXV	35,000	15.00	12.00	CX34-36	SL280UH090V48B	6508073
XC16-036-230	TXV	35,400	15.00	12.20	CX34-36	SL280UH090V60C	6508079
XC16-036-230	TXV	35,200	15.00	12.20	CX34-36	SL280UH090XV48B	6508485
XC16-036-230	TXV	35,400	15.50	12.20	CX34-36	SL280UH090XV60C	6508492
XC16-036-230	TXV	35,200	15.00	12.00	CX34-36	SL280UH110V60C	6508085
XC16-036-230	TXV	35,400	15.00	12.20	CX34-36	SL280UH110XV60C	6508498
XC16-036-230	TXV	35,000	15.00	11.70	CX34-36	SLP98UH070XV36B	6508091
XC16-036-230	TXV	35,000	15.00	12.00	CX34-36	SLP98UH090XV36C	6508097

Ratings AHRI Certified to AHRI Standard 210/240 (with 25 ft. of connecting refrigerant lines); 95°F outdoor air temperature, 80°F db / 67°F wb entering evaporator air.

All ratings include the use of a blower time delay relay (TDR). All Lennox variable-speed furnaces and Air Handlers have time delay capabilities. Other Furnaces and Air Handlers may require an optional time delay relay (58M81) for field installation. See furnace or air handler specifications to determine if relay is needed.

Also see Expansion Valve Kit Usage Table.

AHRI SYSTEM MATCHES

NOTE - For the latest up-to-date system matches please visit the AHRI web site at <http://www.ahridirectory.org>

Model No.	Expansion Device	Capacity	SEER	EER	Coil or Air Handler	Furnace	AHRI Reference
XC16-036-230	TXV	35,200	15.00	12.00	CX34-36	SLP98UH090XV48C	6508104
XC16-036-230	TXV	35,600	15.00	12.00	CX34-36	SLP98UH090XV60C	6508109
XC16-036-230	TXV	35,400	15.00	12.20	CX34-36	SLP98UH110XV60C	6508115
XC16-036-230	TXV	34,400	13.00	11.00	CX34-36		6508024
XC16-036-230	TXV	36,400	15.50	12.20	CX34-38	EL180UH045XE36A	6508515
XC16-036-230	TXV	36,400	15.50	12.20	CX34-38	EL180UH070XE36B	6508521
XC16-036-230	TXV	36,200	15.00	11.70	CX34-38	EL195UH045XE36B	6508132
XC16-036-230	TXV	36,200	15.50	12.20	CX34-38	EL195UH070XE36B	6508139
XC16-036-230	TXV	36,000	15.00	11.70	CX34-38	EL296UH045XE36B	6508527
XC16-036-230	TXV	36,200	15.50	12.20	CX34-38	EL296UH045XV36B	6508157
XC16-036-230	TXV	36,200	15.00	12.00	CX34-38	EL296UH070XE36B	6508532
XC16-036-230	TXV	36,400	15.50	12.20	CX34-38	EL296UH070XV36B	6508512
XC16-036-230	TXV	36,400	15.50	12.20	CX34-38	SL280UH070V36A	6508121
XC16-036-230	TXV	36,400	15.50	12.20	CX34-38	SL280UH070XV36A	6508535
XC16-036-230	TXV	36,600	15.50	12.50	CX34-38	SL280UH090V36B	6508162
XC16-036-230	TXV	36,400	15.50	12.50	CX34-38	SL280UH090V48B	6508168
XC16-036-230	TXV	36,600	15.50	12.50	CX34-38	SL280UH090XV48B	6508540
XC16-036-230	TXV	36,400	15.50	12.20	CX34-38	SLP98UH070XV36B	6508174
XC16-036-230	TXV	35,800	14.00	11.00	CX34-38		6508126
XC16-036-230	TXV	35,000	15.00	11.70	CX34-42	EL180UH070E36B	6508569
XC16-036-230	TXV	34,800	14.50	11.00	CX34-42	EL195UH045XE36B	6508185
XC16-036-230	TXV	34,800	14.50	11.70	CX34-42	EL195UH070XE36B	6508189
XC16-036-230	TXV	34,600	14.50	11.00	CX34-42	EL296UH045XE36B	6508555
XC16-036-230	TXV	34,800	15.00	11.70	CX34-42	EL296UH045XV36B	6508195
XC16-036-230	TXV	34,800	14.50	11.00	CX34-42	EL296UH070XE36B	6508561
XC16-036-230	TXV	35,000	15.00	11.70	CX34-42	EL296UH070XV36B	6508564
XC16-036-230	TXV	35,200	15.00	12.00	CX34-42	SL280UH090V36B	6508208
XC16-036-230	TXV	35,000	15.00	12.00	CX34-42	SL280UH090V48B	6508214
XC16-036-230	TXV	35,200	15.00	12.20	CX34-42	SL280UH090XV48B	6508549
XC16-036-230	TXV	35,000	15.00	11.70	CX34-42	SLP98UH070XV36B	6508219
XC16-036-230	TXV	34,400	13.00	11.00	CX34-42		6508178
XC16-036-230	TXV	36,600	15.50	12.50	CX34-43	CBWMV-36C-090	6508574
XC16-036-230	TXV	37,000	16.00	12.50	CX34-43	CBWMV-60C-100	6508582
XC16-036-230	TXV	36,600	15.50	12.20	CX34-43	EL180UH070E36B	6508598
XC16-036-230	TXV	36,400	15.00	11.70	CX34-43	EL195UH045XE36B	6508253
XC16-036-230	TXV	36,400	15.50	12.20	CX34-43	EL195UH070XE36B	6508259
XC16-036-230	TXV	36,400	15.00	11.70	CX34-43	EL296UH045XE36B	6508588
XC16-036-230	TXV	36,600	15.50	12.20	CX34-43	EL296UH045XV36B	6508225
XC16-036-230	TXV	36,400	15.00	12.00	CX34-43	EL296UH070XE36B	6508595
XC16-036-230	TXV	36,600	15.50	12.20	CX34-43	EL296UH070XV36B	6508617
XC16-036-230	TXV	36,600	15.50	12.50	CX34-43	EL296UH090XV36C	6508621
XC16-036-230	TXV	36,400	15.50	12.50	CX34-43	EL296UH090XV48C	6508626
XC16-036-230	TXV	37,200	16.00	12.50	CX34-43	EL296UH090XV60C	6508629
XC16-036-230	TXV	36,600	16.00	12.50	CX34-43	EL296UH110XV48C	6508271
XC16-036-230	TXV	37,000	16.00	12.50	CX34-43	EL296UH110XV60C	6508631
XC16-036-230	TXV	37,000	16.00	12.50	CX34-43	SL280UH090V36B	6508230
XC16-036-230	TXV	36,000	16.00	12.50	CX34-43	SL280UH090V48B	6508236

Ratings AHRI Certified to AHRI Standard 210/240 (with 25 ft. of connecting refrigerant lines); 95°F outdoor air temperature, 80°F db / 67°F wb entering evaporator air. All ratings include the use of a blower time delay relay (TDR). All Lennox variable-speed furnaces and Air Handlers have time delay capabilities. Other Furnaces and Air Handlers may require an optional time delay relay (**58M81**) for field installation. See furnace or air handler specifications to determine if relay is needed. Also see Expansion Valve Kit Usage Table.

AHRI SYSTEM MATCHES

NOTE - For the latest up-to-date system matches please visit the AHRI web site at <http://www.ahridirectory.org>

Model No.	Expansion Device	Capacity	SEER	EER	Coil or Air Handler	Furnace	AHRI Reference
XC16-036-230	TXV	36,800	16.00	12.50	CX34-43	SL280UH090V60C	6507584
XC16-036-230	TXV	36,000	16.00	12.50	CX34-43	SL280UH090XV48B	6508601
XC16-036-230	TXV	37,000	16.00	12.50	CX34-43	SL280UH090XV60C	6508610
XC16-036-230	TXV	36,800	15.50	12.50	CX34-43	SL280UH110V60C	6508276
XC16-036-230	TXV	37,000	16.00	12.50	CX34-43	SL280UH110XV60C	6508612
XC16-036-230	TXV	36,600	15.50	12.20	CX34-43	SLP98UH070XV36B	6508241
XC16-036-230	TXV	36,800	15.50	12.50	CX34-43	SLP98UH090XV36C	6508282
XC16-036-230	TXV	36,800	16.00	12.50	CX34-43	SLP98UH090XV48C	6508288
XC16-036-230	TXV	37,200	16.00	12.50	CX34-43	SLP98UH090XV60C	6508293
XC16-036-230	TXV	37,000	15.50	12.50	CX34-43	SLP98UH110XV60C	6508299
XC16-036-230	TXV	36,200	14.00	11.70	CX34-43		6508248
XC16-036-230	TXV	35,800	14.50	11.70	CX34-44/48	EL180UH045XE36A	6508649
XC16-036-230	TXV	36,000	15.50	12.00	CX34-44/48	EL180UH070E36B	6508645
XC16-036-230	TXV	35,800	14.50	11.70	CX34-44/48	EL195UH045XE36B	6508334
XC16-036-230	TXV	35,600	14.50	12.00	CX34-44/48	EL195UH070XE36B	6508340
XC16-036-230	TXV	36,000	15.50	12.20	CX34-44/48	EL296UH045XV36B	6508305
XC16-036-230	TXV	35,800	15.00	11.70	CX34-44/48	EL296UH070XE36B	6508656
XC16-036-230	TXV	36,000	15.50	12.00	CX34-44/48	EL296UH070XV36B	6508671
XC16-036-230	TXV	36,200	15.50	12.50	CX34-44/48	EL296UH090XV36C	6508674
XC16-036-230	TXV	36,000	15.50	12.50	CX34-44/48	EL296UH090XV48C	6508677
XC16-036-230	TXV	36,600	15.50	12.20	CX34-44/48	EL296UH090XV60C	6508680
XC16-036-230	TXV	36,200	15.50	12.50	CX34-44/48	EL296UH110XV48C	6508351
XC16-036-230	TXV	36,400	15.50	12.50	CX34-44/48	EL296UH110XV60C	6508682
XC16-036-230	TXV	36,200	15.50	12.20	CX34-44/48	SL280UH090V36B	6508310
XC16-036-230	TXV	36,200	15.00	12.50	CX34-44/48	SL280UH090V48B	6508316
XC16-036-230	TXV	36,600	15.50	12.50	CX34-44/48	SL280UH090V60C	6508358
XC16-036-230	TXV	36,200	15.50	12.50	CX34-44/48	SL280UH090XV48B	6508637
XC16-036-230	TXV	36,600	15.50	12.50	CX34-44/48	SL280UH090XV60C	6508659
XC16-036-230	TXV	36,400	15.50	12.50	CX34-44/48	SL280UH110V60C	6508364
XC16-036-230	TXV	36,400	15.50	12.50	CX34-44/48	SL280UH110XV60C	6508668
XC16-036-230	TXV	36,000	15.50	12.00	CX34-44/48	SLP98UH070XV36B	6508322
XC16-036-230	TXV	36,200	15.50	12.50	CX34-44/48	SLP98UH090XV36C	6508370
XC16-036-230	TXV	36,400	15.50	12.20	CX34-44/48	SLP98UH090XV48C	6508376
XC16-036-230	TXV	36,600	15.50	12.20	CX34-44/48	SLP98UH090XV60C	6508381
XC16-036-230	TXV	36,400	15.50	12.50	CX34-44/48	SLP98UH110XV60C	6508387
XC16-036-230	TXV	35,600	13.00	11.00	CX34-44/48		6508328
XC16-036-230	TXV	37,000	15.50	12.50	CX34-49	EL296UH090XV36C	6508688
XC16-036-230	TXV	36,800	16.00	12.50	CX34-49	EL296UH090XV48C	6508704
XC16-036-230	TXV	37,600	16.00	12.50	CX34-49	EL296UH090XV60C	6508691
XC16-036-230	TXV	37,400	16.00	12.50	CX34-49	EL296UH110XV60C	6508710
XC16-036-230	TXV	37,600	16.00	12.50	CX34-49	SL280UH090V60C	6508398
XC16-036-230	TXV	37,600	16.00	12.50	CX34-49	SL280UH090XV60C	6508707
XC16-036-230	TXV	37,200	15.50	12.50	CX34-49	SL280UH110V60C	6508405
XC16-036-230	TXV	37,400	16.00	12.50	CX34-49	SL280UH110XV60C	6508701
XC16-036-230	TXV	37,000	16.00	12.50	CX34-49	SLP98UH090XV36C	6508411
XC16-036-230	TXV	37,400	16.00	12.50	CX34-49	SLP98UH090XV48C	6508417
XC16-036-230	TXV	37,600	16.00	12.50	CX34-49	SLP98UH090XV60C	6508422

Ratings AHRI Certified to AHRI Standard 210/240 (with 25 ft. of connecting refrigerant lines); 95°F outdoor air temperature, 80°F db / 67°F wb entering evaporator air.

All ratings include the use of a blower time delay relay (TDR). All Lennox variable-speed furnaces and Air Handlers have time delay capabilities. Other Furnaces and Air Handlers may require an optional time delay relay (58M81) for field installation. See furnace or air handler specifications to determine if relay is needed.

Also see Expansion Valve Kit Usage Table.

AHRI SYSTEM MATCHES

NOTE - For the latest up-to-date system matches please visit the AHRI web site at <http://www.ahridirectory.org>

Model No.	Expansion Device	Capacity	SEER	EER	Coil or Air Handler	Furnace	AHRI Reference
XC16-036-230	TXV	37,400	16.00	12.50	CX34-49	SLP98UH110XV60C	6508428
XC16-036-230	TXV	36,400	14.00	11.70	CX34-49		6508393
XC16-036-230	TXV	36,400	16.00	12.50	CX34-50/60C	EL296UH110XV48C	6508434
XC16-048-230	TXV	46,000	15.50	12.00	C33-43	EL180UH090E48B	6685351
XC16-048-230	TXV	45,000	15.00	11.70	C33-48	EL180UH090E48B	6685360
XC16-048-230	TXV	45,000	15.50	12.00	C33-48	EL180UH090E60C	6685361
XC16-048-230	TXV	44,500	15.00	11.70	C33-48	EL180UH110E60C	6685364
XC16-048-230	TXV	44,500	15.00	11.70	C33-48	EL195UH090XE48C	6685275
XC16-048-230	TXV	45,000	15.00	11.50	C33-48	EL195UH110XE60C	6689566
XC16-048-230	TXV	44,500	15.00	11.50	C33-48	EL296UH090XE48C	6685366
XC16-048-230	TXV	44,500	15.00	11.50	C33-48	EL296UH090XV48C	6685256
XC16-048-230	TXV	44,500	15.00	11.50	C33-48	EL296UH090XV60C	6685258
XC16-048-230	TXV	45,000	15.00	11.70	C33-48	EL296UH110XE60C	6685368
XC16-048-230	TXV	44,500	15.00	11.50	C33-48	EL296UH110XV48C	6685260
XC16-048-230	TXV	45,000	15.00	11.50	C33-48	EL296UH110XV60C	6685262
XC16-048-230	TXV	44,500	15.00	11.00	C33-48	O23V5-140/154	6685353
XC16-048-230	TXV	45,000	15.50	11.70	C33-48	SL280UH090V60C	6685264
XC16-048-230	TXV	45,000	15.50	11.70	C33-48	SL280UH090XV60C	6685370
XC16-048-230	TXV	45,000	15.00	11.70	C33-48	SL280UH110V60C	6685266
XC16-048-230	TXV	44,500	15.00	11.70	C33-48	SL280UH110XV60C	6685371
XC16-048-230	TXV	45,000	15.00	11.50	C33-48	SLO183B135/150V60	6685356
XC16-048-230	TXV	45,000	14.50	11.50	C33-48	SLO183UF135/150V60	6685357
XC16-048-230	TXV	45,000	15.00	11.50	C33-48	SLO185B124/141V60	7110158
XC16-048-230	TXV	45,000	14.50	11.50	C33-48	SLO185UF124/141V60	7110159
XC16-048-230	TXV	44,500	15.00	11.50	C33-48	SLP98UH090XV48C	6685268
XC16-048-230	TXV	44,500	15.00	11.50	C33-48	SLP98UH090XV60C	6685270
XC16-048-230	TXV	45,000	15.00	11.50	C33-48	SLP98UH110XV60C	6685272
XC16-048-230	TXV	44,500	14.00	11.00	C33-48		6685137
XC16-048-230	TXV	46,500	16.00	12.20	C33-49	EL180UH090E60C	6685380
XC16-048-230	TXV	46,500	16.00	12.20	C33-49	EL180UH110E60C	6685381
XC16-048-230	TXV	46,500	15.50	12.20	C33-49	EL195UH090XE48C	6685277
XC16-048-230	TXV	46,500	16.00	12.20	C33-49	EL195UH110XE60C	6685279
XC16-048-230	TXV	46,500	15.50	12.00	C33-49	EL296UH090XE48C	6685384
XC16-048-230	TXV	46,500	16.00	12.00	C33-49	EL296UH090XV48C	6685281
XC16-048-230	TXV	46,500	15.50	12.00	C33-49	EL296UH090XV60C	6685283
XC16-048-230	TXV	46,500	16.00	12.20	C33-49	EL296UH110XE60C	6685385
XC16-048-230	TXV	46,500	16.00	12.20	C33-49	EL296UH110XV48C	6685285
XC16-048-230	TXV	46,500	16.00	12.00	C33-49	EL296UH110XV60C	6685287
XC16-048-230	TXV	46,500	15.50	11.70	C33-49	O23V5-140/154	6685373
XC16-048-230	TXV	47,000	16.00	12.20	C33-49	SL280UH090V60C	6685289
XC16-048-230	TXV	46,500	16.00	12.20	C33-49	SL280UH090XV60C	6685388
XC16-048-230	TXV	46,500	16.00	12.20	C33-49	SL280UH110V60C	6685291
XC16-048-230	TXV	46,500	16.00	12.20	C33-49	SL280UH110XV60C	6685389
XC16-048-230	TXV	46,500	15.50	12.20	C33-49	SLO183B135/150V60	6685377
XC16-048-230	TXV	46,500	15.50	12.20	C33-49	SLO183UF135/150V60	6685375
XC16-048-230	TXV	46,500	15.50	12.20	C33-49	SLO185B124/141V60	7110163
XC16-048-230	TXV	46,500	15.50	12.20	C33-49	SLO185UF124/141V60	7110161

Ratings AHRI Certified to AHRI Standard 210/240 (with 25 ft. of connecting refrigerant lines); 95°F outdoor air temperature, 80°F db / 67°F wb entering evaporator air. All ratings include the use of a blower time delay relay (TDR). All Lennox variable-speed furnaces and Air Handlers have time delay capabilities. Other Furnaces and Air Handlers may require an optional time delay relay (**58M81**) for field installation. See furnace or air handler specifications to determine if relay is needed. Also see Expansion Valve Kit Usage Table.

AHRI SYSTEM MATCHES

NOTE - For the latest up-to-date system matches please visit the AHRI web site at <http://www.ahridirectory.org>

Model No.	Expansion Device	Capacity	SEER	EER	Coil or Air Handler	Furnace	AHRI Reference
XC16-048-230	TXV	46,500	16.00	12.00	C33-49	SLP98UH090XV48C	6685293
XC16-048-230	TXV	46,500	16.00	12.00	C33-49	SLP98UH090XV60C	6685295
XC16-048-230	TXV	46,500	16.00	12.00	C33-49	SLP98UH110XV60C	6685296
XC16-048-230	TXV	46,500	14.50	11.70	C33-49		6685139
XC16-048-230	TXV	45,500	15.50	11.70	C33-50/60C	CBWMV-60C-100	6685397
XC16-048-230	TXV	45,500	15.50	12.00	C33-50/60C	EL180UH090E60C	6685400
XC16-048-230	TXV	45,000	15.50	12.00	C33-50/60C	EL180UH110E60C	6685401
XC16-048-230	TXV	45,000	15.00	11.70	C33-50/60C	EL195UH090XE48C	6685298
XC16-048-230	TXV	45,500	15.00	11.50	C33-50/60C	EL195UH110XE60C	6685300
XC16-048-230	TXV	45,500	15.00	11.70	C33-50/60C	EL296UH090XE48C	6685404
XC16-048-230	TXV	45,500	15.50	11.70	C33-50/60C	EL296UH090XV48C	6685302
XC16-048-230	TXV	45,500	15.00	11.70	C33-50/60C	EL296UH090XV60C	6685304
XC16-048-230	TXV	45,500	15.50	12.00	C33-50/60C	EL296UH110XE60C	6685405
XC16-048-230	TXV	45,000	15.50	11.70	C33-50/60C	EL296UH110XV48C	6685306
XC16-048-230	TXV	45,500	15.50	11.70	C33-50/60C	EL296UH110XV60C	6685308
XC16-048-230	TXV	45,000	15.00	11.00	C33-50/60C	O23V5-140/154	6685392
XC16-048-230	TXV	45,500	15.50	11.70	C33-50/60C	SL280UH090V60C	6685310
XC16-048-230	TXV	45,500	15.50	11.70	C33-50/60C	SL280UH090XV60C	6685407
XC16-048-230	TXV	45,500	15.50	11.70	C33-50/60C	SL280UH110V60C	6685312
XC16-048-230	TXV	45,500	15.50	11.70	C33-50/60C	SL280UH110XV60C	6685410
XC16-048-230	TXV	45,000	15.00	11.70	C33-50/60C	SLO183B135/150V60	6685393
XC16-048-230	TXV	45,000	15.00	11.70	C33-50/60C	SLO183UF135/150V60	6685396
XC16-048-230	TXV	45,000	15.00	11.50	C33-50/60C	SLO185B124/141V60	7110165
XC16-048-230	TXV	45,000	15.00	11.50	C33-50/60C	SLO185UF124/141V60	7110168
XC16-048-230	TXV	45,500	15.50	11.70	C33-50/60C	SLP98UH090XV48C	6685314
XC16-048-230	TXV	45,500	15.50	11.70	C33-50/60C	SLP98UH090XV60C	6685316
XC16-048-230	TXV	45,500	15.50	11.70	C33-50/60C	SLP98UH110XV60C	6685318
XC16-048-230	TXV	45,000	14.00	11.00	C33-50/60C		6685141
XC16-048-230	TXV	46,500	16.00	12.00	C33-60D	EL296UH135XV60D	6685320
XC16-048-230	TXV	46,000	15.50	11.70	C33-60D	O23V5-140/154	6685412
XC16-048-230	TXV	46,500	16.00	12.20	C33-60D	SL280UH135V60D	6685322
XC16-048-230	TXV	46,000	15.50	12.00	C33-60D	SLO183B135/150V60	6685414
XC16-048-230	TXV	46,000	15.50	12.00	C33-60D	SLO183UF135/150V60	6685416
XC16-048-230	TXV	46,000	15.50	12.00	C33-60D	SLO185B124/141V60	7110170
XC16-048-230	TXV	46,000	15.50	12.00	C33-60D	SLO185UF124/141V60	7110172
XC16-048-230	TXV	46,500	16.00	12.20	C33-60D	SLP98UH135XV60D	6685324
XC16-048-230	TXV	46,000	14.50	11.50	C33-60D		6685143
XC16-048-230	TXV	47,000	16.00	12.50	C33-62C	EL180UH090E60C	6685424
XC16-048-230	TXV	47,000	16.00	12.50	C33-62C	EL180UH110E60C	6685425
XC16-048-230	TXV	47,000	16.00	12.20	C33-62C	EL195UH090XE48C	6685326
XC16-048-230	TXV	47,000	16.00	12.20	C33-62C	EL195UH110XE60C	6685328
XC16-048-230	TXV	47,000	16.00	12.20	C33-62C	EL296UH090XE48C	6685428
XC16-048-230	TXV	47,000	16.00	12.20	C33-62C	EL296UH090XV48C	6685330
XC16-048-230	TXV	47,000	16.00	12.20	C33-62C	EL296UH090XV60C	6685332
XC16-048-230	TXV	47,000	16.00	12.20	C33-62C	EL296UH110XE60C	6685429
XC16-048-230	TXV	47,000	16.00	12.20	C33-62C	EL296UH110XV48C	6685334
XC16-048-230	TXV	47,500	16.00	12.20	C33-62C	EL296UH110XV60C	6685336

Ratings AHRI Certified to AHRI Standard 210/240 (with 25 ft. of connecting refrigerant lines); 95°F outdoor air temperature, 80°F db / 67°F wb entering evaporator air.

All ratings include the use of a blower time delay relay (TDR). All Lennox variable-speed furnaces and Air Handlers have time delay capabilities. Other Furnaces and Air Handlers may require an optional time delay relay (58M81) for field installation. See furnace or air handler specifications to determine if relay is needed.

Also see Expansion Valve Kit Usage Table.

AHRI SYSTEM MATCHES

NOTE - For the latest up-to-date system matches please visit the AHRI web site at <http://www.ahridirectory.org>

Model No.	Expansion Device	Capacity	SEER	EER	Coil or Air Handler	Furnace	AHRI Reference
XC16-048-230	TXV	47,000	16.00	11.70	C33-62C	O23V5-140/154	6685418
XC16-048-230	TXV	46,500	16.00	11.70	C33-62C	OF23V5-140/154	6685435
XC16-048-230	TXV	47,500	16.50	12.20	C33-62C	SL280UH090V60C	6685155
XC16-048-230	TXV	47,000	16.00	12.20	C33-62C	SL280UH090XV60C	6685432
XC16-048-230	TXV	47,000	16.00	12.20	C33-62C	SL280UH110V60C	6685338
XC16-048-230	TXV	47,000	16.00	12.20	C33-62C	SL280UH110XV60C	6685433
XC16-048-230	TXV	47,000	16.00	12.20	C33-62C	SLO183B135/150V60	6685420
XC16-048-230	TXV	47,000	16.00	12.20	C33-62C	SLO183UF135/150V60	6685421
XC16-048-230	TXV	47,000	16.00	12.20	C33-62C	SLO185B124/141V60	7110174
XC16-048-230	TXV	47,000	16.00	12.20	C33-62C	SLO185UF124/141V60	7110175
XC16-048-230	TXV	47,000	16.00	12.20	C33-62C	SLP98UH090XV48C	6685340
XC16-048-230	TXV	47,000	16.00	12.20	C33-62C	SLP98UH090XV60C	6685342
XC16-048-230	TXV	47,500	16.00	12.20	C33-62C	SLP98UH110XV60C	6685344
XC16-048-230	TXV	47,000	14.50	11.70	C33-62C		6685145
XC16-048-230	TXV	47,000	16.00	12.20	C33-62D	EL296UH135XV60D	6685346
XC16-048-230	TXV	47,000	16.00	12.20	C33-62D	SL280UH135V60D	6685348
XC16-048-230	TXV	46,500	15.50	12.20	C33-62D	SLO183B135/150V60	6685437
XC16-048-230	TXV	46,500	15.50	12.20	C33-62D	SLO183UF135/150V60	6685440
XC16-048-230	TXV	46,500	15.50	12.20	C33-62D	SLO185B124/141V60	7110177
XC16-048-230	TXV	46,500	15.50	12.20	C33-62D	SLO185UF124/141V60	7110180
XC16-048-230	TXV	47,000	16.00	12.20	C33-62D	SLP98UH135XV60D	6685350
XC16-048-230	TXV	46,500	14.50	11.70	C33-62D		6685147
XC16-048-230	TXV	46,000	14.00	11.50	CBX25UH-048		6685160
XC16-048-230	TXV	46,000	13.00	11.00	CBX25UH-060		6685161
XC16-048-230	TXV	47,000	16.00	12.20	CBX25UHV-048		6970139
XC16-048-230	TXV	46,000	16.00	12.20	CBX27UH-048		6685156
XC16-048-230	TXV	46,500	16.00	12.20	CBX27UH-060		6685157
XC16-048-230	TXV	46,000	15.00	12.00	CBX32M-048		6685162
XC16-048-230	TXV	47,000	14.00	12.00	CBX32M-060		6685163
XC16-048-230	TXV	46,000	16.00	12.20	CBX32MV-048		6685164
XC16-048-230	TXV	47,000	16.50	12.20	CBX32MV-060		6685165
XC16-048-230	TXV	47,000	16.00	12.20	CBX32MV-068		6685166
XC16-048-230	TXV	45,500	15.50	12.00	CBX40UHV-048		6685441
XC16-048-230	TXV	46,000	15.50	12.00	CBX40UHV-060		6685442
XC16-048-230	TXV	44,000	14.50	11.50	CH23-51	EL180UH090E48B	6685445
XC16-048-230	TXV	44,000	15.00	11.70	CH23-51	EL180UH090E60C	6685446
XC16-048-230	TXV	43,500	15.00	11.70	CH23-51	EL180UH110E60C	6685447
XC16-048-230	TXV	44,000	14.50	11.50	CH23-51	EL195UH090XE48C	6685167
XC16-048-230	TXV	44,000	15.00	11.70	CH23-51	EL195UH110XE60C	6685168
XC16-048-230	TXV	44,000	14.50	11.50	CH23-51	EL296UH090XE48C	6685443
XC16-048-230	TXV	44,000	15.00	11.50	CH23-51	EL296UH090XV48C	6685169
XC16-048-230	TXV	44,000	15.00	11.50	CH23-51	EL296UH090XV60C	6685170
XC16-048-230	TXV	44,000	15.00	11.70	CH23-51	EL296UH110XE60C	6685444
XC16-048-230	TXV	44,000	15.00	11.50	CH23-51	EL296UH110XV48C	6685171
XC16-048-230	TXV	44,000	15.00	11.50	CH23-51	EL296UH110XV60C	6685172
XC16-048-230	TXV	44,000	15.00	11.50	CH23-51	EL296UH135XV60D	6685173
XC16-048-230	TXV	44,000	15.00	11.50	CH23-51	SL280UH090V60C	6685175

Ratings AHRI Certified to AHRI Standard 210/240 (with 25 ft. of connecting refrigerant lines); 95°F outdoor air temperature, 80°F db / 67°F wb entering evaporator air. All ratings include the use of a blower time delay relay (TDR). All Lennox variable-speed furnaces and Air Handlers have time delay capabilities. Other Furnaces and Air Handlers may require an optional time delay relay (**58M81**) for field installation. See furnace or air handler specifications to determine if relay is needed. Also see Expansion Valve Kit Usage Table.

AHRI SYSTEM MATCHES

NOTE - For the latest up-to-date system matches please visit the AHRI web site at <http://www.ahridirectory.org>

Model No.	Expansion Device	Capacity	SEER	EER	Coil or Air Handler	Furnace	AHRI Reference
XC16-048-230	TXV	44,000	15.00	11.70	CH23-51	SL280UH090XV60C	6685448
XC16-048-230	TXV	44,000	15.00	11.70	CH23-51	SL280UH110V60C	6685176
XC16-048-230	TXV	44,000	15.00	11.70	CH23-51	SL280UH110XV60C	6685449
XC16-048-230	TXV	44,000	15.00	11.50	CH23-51	SL280UH135V60D	6685177
XC16-048-230	TXV	44,000	15.00	11.50	CH23-51	SLP98UH090XV48C	6685178
XC16-048-230	TXV	44,000	15.00	11.50	CH23-51	SLP98UH090XV60C	6685179
XC16-048-230	TXV	44,000	15.00	11.50	CH23-51	SLP98UH110XV60C	6685180
XC16-048-230	TXV	44,000	15.00	11.50	CH23-51	SLP98UH135XV60D	6685181
XC16-048-230	TXV	43,500	13.00	11.00	CH23-51		6685148
XC16-048-230	TXV	44,500	15.00	11.70	CH23-65	EL180UH090E60C	6685452
XC16-048-230	TXV	44,500	15.00	11.70	CH23-65	EL180UH110E60C	6685453
XC16-048-230	TXV	44,500	15.00	11.70	CH23-65	EL195UH090XE48C	6685182
XC16-048-230	TXV	44,500	15.00	11.70	CH23-65	EL195UH110XE60C	6685183
XC16-048-230	TXV	44,500	15.00	11.50	CH23-65	EL296UH090XE48C	6685450
XC16-048-230	TXV	44,500	15.50	11.70	CH23-65	EL296UH090XV48C	6685184
XC16-048-230	TXV	44,500	15.50	11.70	CH23-65	EL296UH090XV60C	6685185
XC16-048-230	TXV	44,500	15.00	11.70	CH23-65	EL296UH110XE60C	6685451
XC16-048-230	TXV	44,500	15.50	11.70	CH23-65	EL296UH110XV48C	6685186
XC16-048-230	TXV	44,500	15.50	11.70	CH23-65	EL296UH110XV60C	6685187
XC16-048-230	TXV	45,000	15.50	12.00	CH23-65	EL296UH135XV60D	6685188
XC16-048-230	TXV	45,000	15.50	12.00	CH23-65	SL280UH090V60C	6677936
XC16-048-230	TXV	45,000	15.50	12.00	CH23-65	SL280UH090XV48B	6685494
XC16-048-230	TXV	44,500	15.50	11.70	CH23-65	SL280UH110V60C	6677937
XC16-048-230	TXV	44,500	15.50	11.70	CH23-65	SL280UH110XV60C	6685495
XC16-048-230	TXV	45,000	15.50	12.00	CH23-65	SL280UH135V60D	6685189
XC16-048-230	TXV	44,500	15.50	11.70	CH23-65	SLP98UH090XV48C	6685190
XC16-048-230	TXV	44,500	15.50	11.70	CH23-65	SLP98UH090XV60C	6685191
XC16-048-230	TXV	45,000	15.50	11.70	CH23-65	SLP98UH110XV60C	6685192
XC16-048-230	TXV	45,000	15.50	12.00	CH23-65	SLP98UH135XV60D	6685193
XC16-048-230	TXV	44,000	13.00	11.00	CH23-65		6685149
XC16-048-230	TXV	46,500	15.50	12.20	CH23-68	EL180UH090E60C	6685454
XC16-048-230	TXV	46,000	15.50	12.20	CH23-68	EL180UH110E60C	6685455
XC16-048-230	TXV	46,500	15.50	12.20	CH23-68	EL195UH090XE48C	6685194
XC16-048-230	TXV	46,500	16.00	12.20	CH23-68	EL195UH110XE60C	6685195
XC16-048-230	TXV	46,000	15.50	12.00	CH23-68	EL296UH090XE48C	6685456
XC16-048-230	TXV	46,000	15.50	12.00	CH23-68	EL296UH110XE60C	6685457
XC16-048-230	TXV	46,500	16.00	12.20	CH23-68	EL296UH135XV60D	6685196
XC16-048-230	TXV	46,500	16.00	12.20	CH23-68	SL280UH135V60D	6685197
XC16-048-230	TXV	46,500	16.00	12.20	CH23-68	SLP98UH135XV60D	6685198
XC16-048-230	TXV	46,000	14.00	11.50	CH23-68		6685131
XC16-048-230	TXV	46,500	15.50	12.00	CH33-43	SL280UH090V48B	6685458
XC16-048-230	TXV	46,500	15.50	12.00	CH33-43	SL280UH090XV48B	6685459
XC16-048-230	TXV	46,000	15.50	12.20	CH33-43C	EL180UH090E60C	6677938
XC16-048-230	TXV	45,500	15.50	12.20	CH33-43C	EL180UH110E60C	6677939
XC16-048-230	TXV	45,500	15.00	11.70	CH33-43C	EL195UH090XE48C	6685199
XC16-048-230	TXV	46,000	15.00	11.70	CH33-43C	EL195UH110XE60C	6685200
XC16-048-230	TXV	45,500	15.50	11.70	CH33-43C	EL296UH090XE48C	6685460

Ratings AHRI Certified to AHRI Standard 210/240 (with 25 ft. of connecting refrigerant lines); 95°F outdoor air temperature, 80°F db / 67°F wb entering evaporator air.

All ratings include the use of a blower time delay relay (TDR). All Lennox variable-speed furnaces and Air Handlers have time delay capabilities. Other Furnaces and Air Handlers may require an optional time delay relay (58M81) for field installation. See furnace or air handler specifications to determine if relay is needed.

Also see Expansion Valve Kit Usage Table.

AHRI SYSTEM MATCHES

NOTE - For the latest up-to-date system matches please visit the AHRI web site at <http://www.ahridirectory.org>

Model No.	Expansion Device	Capacity	SEER	EER	Coil or Air Handler	Furnace	AHRI Reference
XC16-048-230	TXV	46,000	15.50	12.00	CH33-43C	EL296UH110XE60C	6685461
XC16-048-230	TXV	45,500	15.50	11.70	CH33-43C	EL296UH110XV48C	6685201
XC16-048-230	TXV	45,500	15.50	11.70	CH33-44/48	EL180UH090E48B	6685462
XC16-048-230	TXV	45,000	15.00	11.50	CH33-44/48	SL280UH090V48B	6685463
XC16-048-230	TXV	45,000	15.00	11.50	CH33-44/48	SL280UH090XV48B	6685464
XC16-048-230	TXV	45,500	15.50	11.70	CH33-48	EL296UH090XV48C	6685205
XC16-048-230	TXV	45,500	15.00	11.70	CH33-48	EL296UH090XV60C	6685206
XC16-048-230	TXV	45,500	15.50	11.70	CH33-48	EL296UH110XV48C	6685207
XC16-048-230	TXV	45,500	15.50	11.70	CH33-48	EL296UH110XV60C	6685208
XC16-048-230	TXV	45,500	15.50	11.70	CH33-48	SL280UH090V60C	6685209
XC16-048-230	TXV	45,500	15.50	11.70	CH33-48	SL280UH090XV60C	6685465
XC16-048-230	TXV	45,500	15.50	11.70	CH33-48	SL280UH110V60C	6685210
XC16-048-230	TXV	45,500	15.50	11.70	CH33-48	SL280UH110XV60C	6685466
XC16-048-230	TXV	45,500	15.50	11.70	CH33-48	SLP98UH090XV48C	6685211
XC16-048-230	TXV	45,500	15.50	11.70	CH33-48	SLP98UH090XV60C	6685212
XC16-048-230	TXV	45,500	15.50	11.70	CH33-48	SLP98UH110XV60C	6685213
XC16-048-230	TXV	45,500	15.50	12.00	CH33-48C	EL180UH090E60C	6685467
XC16-048-230	TXV	45,500	15.50	12.20	CH33-48C	EL180UH110E60C	6685468
XC16-048-230	TXV	45,000	15.00	11.70	CH33-48C	EL195UH090XE48C	6685203
XC16-048-230	TXV	46,000	15.00	11.70	CH33-48C	EL195UH110XE60C	6685204
XC16-048-230	TXV	45,500	15.50	11.70	CH33-48C	EL296UH090XE48C	6685469
XC16-048-230	TXV	45,500	15.50	12.00	CH33-48C	EL296UH110XE60C	6685470
XC16-048-230	TXV	45,000	14.00	11.00	CH33-48C		6685132
XC16-048-230	TXV	46,500	15.50	12.00	CH33-49	EL296UH090XV48C	6685214
XC16-048-230	TXV	46,500	15.50	12.00	CH33-49	EL296UH090XV60C	6685215
XC16-048-230	TXV	46,500	15.50	12.00	CH33-49	EL296UH110XV48C	6685216
XC16-048-230	TXV	46,500	15.50	12.00	CH33-49	EL296UH110XV60C	6685217
XC16-048-230	TXV	46,500	16.00	12.00	CH33-49	SL280UH090V60C	6685218
XC16-048-230	TXV	46,500	16.00	12.20	CH33-49	SL280UH090XV60C	6685471
XC16-048-230	TXV	46,500	15.50	12.00	CH33-49	SL280UH110V60C	6685219
XC16-048-230	TXV	46,500	15.50	12.00	CH33-49	SL280UH110XV60C	6685472
XC16-048-230	TXV	46,500	15.50	12.00	CH33-49	SLP98UH090XV48C	6685220
XC16-048-230	TXV	46,500	15.50	12.00	CH33-49	SLP98UH090XV60C	6685221
XC16-048-230	TXV	46,500	15.50	12.00	CH33-49	SLP98UH110XV60C	6685222
XC16-048-230	TXV	46,000	14.50	11.50	CH33-49		6685150
XC16-048-230	TXV	46,000	15.50	11.70	CH33-50/60C	CBWMV-60C-100	6685473
XC16-048-230	TXV	46,000	16.00	12.20	CH33-50/60C	EL180UH090E60C	6685474
XC16-048-230	TXV	46,000	16.00	12.20	CH33-50/60C	EL180UH110E60C	6685475
XC16-048-230	TXV	46,000	15.50	12.00	CH33-50/60C	EL195UH090XE48C	6685223
XC16-048-230	TXV	46,500	15.50	11.70	CH33-50/60C	EL195UH110XE60C	6685224
XC16-048-230	TXV	46,000	15.50	12.00	CH33-50/60C	EL296UH090XE48C	6677940
XC16-048-230	TXV	46,000	15.50	12.00	CH33-50/60C	EL296UH090XE48C	6685496
XC16-048-230	TXV	46,000	15.50	11.70	CH33-50/60C	EL296UH090XV48C	6685225
XC16-048-230	TXV	46,000	15.50	11.70	CH33-50/60C	EL296UH090XV60C	6685226
XC16-048-230	TXV	46,000	15.50	12.00	CH33-50/60C	EL296UH110XE60C	6677941
XC16-048-230	TXV	46,000	15.50	12.00	CH33-50/60C	EL296UH110XE60C	6685497
XC16-048-230	TXV	46,000	15.50	12.00	CH33-50/60C	EL296UH110XV48C	6685227

Ratings AHRI Certified to AHRI Standard 210/240 (with 25 ft. of connecting refrigerant lines); 95°F outdoor air temperature, 80°F db / 67°F wb entering evaporator air. All ratings include the use of a blower time delay relay (TDR). All Lennox variable-speed furnaces and Air Handlers have time delay capabilities. Other Furnaces and Air Handlers may require an optional time delay relay (**58M81**) for field installation. See furnace or air handler specifications to determine if relay is needed. Also see Expansion Valve Kit Usage Table.

AHRI SYSTEM MATCHES

NOTE - For the latest up-to-date system matches please visit the AHRI web site at <http://www.ahridirectory.org>

Model No.	Expansion Device	Capacity	SEER	EER	Coil or Air Handler	Furnace	AHRI Reference
XC16-048-230	TXV	46,000	15.50	11.70	CH33-50/60C	EL296UH110XV60C	6685228
XC16-048-230	TXV	46,500	16.00	12.00	CH33-50/60C	SL280UH090V60C	6685229
XC16-048-230	TXV	46,500	15.50	12.20	CH33-50/60C	SL280UH090XV60C	6685476
XC16-048-230	TXV	46,000	15.50	12.00	CH33-50/60C	SL280UH110V60C	6685230
XC16-048-230	TXV	46,000	15.50	12.00	CH33-50/60C	SL280UH110XV60C	6685477
XC16-048-230	TXV	46,000	15.50	11.70	CH33-50/60C	SLP98UH090XV48C	6685231
XC16-048-230	TXV	46,000	15.50	11.70	CH33-50/60C	SLP98UH090XV60C	6685232
XC16-048-230	TXV	46,000	15.50	11.70	CH33-50/60C	SLP98UH110XV60C	6685233
XC16-048-230	TXV	46,000	14.50	11.50	CH33-50/60C		6685133
XC16-048-230	TXV	46,000	16.00	12.00	CH33-60D	EL296UH135XV60D	6685234
XC16-048-230	TXV	46,000	16.00	12.00	CH33-60D	SL280UH135V60D	6685235
XC16-048-230	TXV	46,000	15.50	12.00	CH33-60D	SLP98UH135XV60D	6685236
XC16-048-230	TXV	45,500	14.00	11.50	CH33-60D		6685134
XC16-048-230	TXV	46,500	16.00	12.00	CH33-62D	EL296UH135XV60D	6685237
XC16-048-230	TXV	46,500	16.00	12.20	CH33-62D	SL280UH135V60D	6685238
XC16-048-230	TXV	46,500	16.00	12.20	CH33-62D	SLP98UH135XV60D	6685239
XC16-048-230	TXV	46,000	14.50	11.50	CH33-62D		6685135
XC16-048-230	TXV	44,500	15.00	11.70	CR33-48	EL180DF110E60C	6685243
XC16-048-230	TXV	44,000	15.00	11.50	CR33-48	EL195DF090XE48C	6685240
XC16-048-230	TXV	44,500	15.00	11.00	CR33-48	EL195DF110XE60C	6689565
XC16-048-230	TXV	44,500	15.00	11.50	CR33-48	EL296DF090XE48C	6685479
XC16-048-230	TXV	44,500	15.00	11.00	CR33-48	EL296DF090XV60C	6685241
XC16-048-230	TXV	44,500	15.00	11.70	CR33-48	EL296DF110XE60C	6685480
XC16-048-230	TXV	44,500	15.00	11.00	CR33-48	EL296DF110XV60C	6685242
XC16-048-230	TXV	44,500	15.00	11.70	CR33-48	SL280DF090V60C	6685244
XC16-048-230	TXV	44,500	15.50	11.70	CR33-48	SL280DF110V60C	6685245
XC16-048-230	TXV	44,500	15.00	11.00	CR33-48	SLP98DF090XV48C	6685481
XC16-048-230	TXV	44,500	15.00	11.00	CR33-48	SLP98DF090XV60C	6685482
XC16-048-230	TXV	44,500	15.00	11.50	CR33-48	SLP98DF110XV60C	6685483
XC16-048-230	TXV	44,000	14.00	11.00	CR33-48		6685151
XC16-048-230	TXV	45,000	15.50	12.00	CR33-50/60	EL180DF110E60C	6685484
XC16-048-230	TXV	45,000	15.00	11.70	CR33-50/60	EL195DF090XE48C	6685246
XC16-048-230	TXV	45,000	15.00	11.70	CR33-50/60	EL195DF110XE60C	6685247
XC16-048-230	TXV	45,000	15.00	11.70	CR33-50/60	EL296DF090XE48C	6685485
XC16-048-230	TXV	45,000	15.00	11.70	CR33-50/60	EL296DF090XV60C	6685248
XC16-048-230	TXV	45,000	15.00	11.70	CR33-50/60	EL296DF110XE60C	6685486
XC16-048-230	TXV	45,000	15.00	11.50	CR33-50/60	EL296DF110XV60C	6685249
XC16-048-230	TXV	45,000	15.50	11.70	CR33-50/60	SL280DF090V60C	6685251
XC16-048-230	TXV	45,000	15.50	12.00	CR33-50/60	SL280DF110V60C	6685252
XC16-048-230	TXV	45,000	15.00	11.50	CR33-50/60	SLP98DF090XV48C	6685487
XC16-048-230	TXV	45,000	15.00	11.70	CR33-50/60	SLP98DF090XV60C	6685488
XC16-048-230	TXV	45,000	15.00	11.70	CR33-50/60	SLP98DF110XV60C	6685489
XC16-048-230	TXV	44,500	14.00	11.00	CR33-50/60		6685152
XC16-048-230	TXV	44,500	14.00	11.00	CR33-60		6685153
XC16-048-230	TXV	46,000	15.50	12.00	CX34-43	EL180UH090E48B	6685352
XC16-048-230	TXV	44,500	15.00	11.70	CX34-43	EL180UH110E60C	6685363
XC16-048-230	TXV	45,000	15.00	11.70	CX34-44/48	EL180UH090E48B	6685359

Ratings AHRI Certified to AHRI Standard 210/240 (with 25 ft. of connecting refrigerant lines); 95°F outdoor air temperature, 80°F db / 67°F wb entering evaporator air.

All ratings include the use of a blower time delay relay (TDR). All Lennox variable-speed furnaces and Air Handlers have time delay capabilities. Other Furnaces and Air Handlers may require an optional time delay relay (58M81) for field installation. See furnace or air handler specifications to determine if relay is needed.

Also see Expansion Valve Kit Usage Table.

AHRI SYSTEM MATCHES

NOTE - For the latest up-to-date system matches please visit the AHRI web site at <http://www.ahridirectory.org>

Model No.	Expansion Device	Capacity	SEER	EER	Coil or Air Handler	Furnace	AHRI Reference
XC16-048-230	TXV	45,000	15.50	12.00	CX34-44/48	EL180UH090E60C	6685362
XC16-048-230	TXV	45,000	15.00	11.70	CX34-44/48	EL195UH090XE48C	6677932
XC16-048-230	TXV	45,000	15.00	11.70	CX34-44/48	EL195UH110XE60C	6677933
XC16-048-230	TXV	44,500	15.00	11.50	CX34-44/48	EL296UH090XE48C	6685365
XC16-048-230	TXV	44,500	15.00	11.50	CX34-44/48	EL296UH090XV48C	6685255
XC16-048-230	TXV	44,500	15.00	11.50	CX34-44/48	EL296UH090XV60C	6685257
XC16-048-230	TXV	45,000	15.00	11.70	CX34-44/48	EL296UH110XE60C	6685367
XC16-048-230	TXV	44,500	15.00	11.50	CX34-44/48	EL296UH110XV48C	6685259
XC16-048-230	TXV	45,000	15.00	11.50	CX34-44/48	EL296UH110XV60C	6685261
XC16-048-230	TXV	44,500	15.00	11.00	CX34-44/48	O23V5-140/154	6685354
XC16-048-230	TXV	44,500	15.00	11.50	CX34-44/48	SL280UH090V48B	6677934
XC16-048-230	TXV	45,000	15.50	11.70	CX34-44/48	SL280UH090V60C	6685263
XC16-048-230	TXV	44,500	15.00	11.50	CX34-44/48	SL280UH090XV48B	6677935
XC16-048-230	TXV	45,000	15.50	11.70	CX34-44/48	SL280UH090XV60C	6685369
XC16-048-230	TXV	45,000	15.00	11.70	CX34-44/48	SL280UH110V60C	6685265
XC16-048-230	TXV	44,500	15.00	11.70	CX34-44/48	SL280UH110XV60C	6685372
XC16-048-230	TXV	45,000	15.00	11.50	CX34-44/48	SLO183B135/150V60	6685355
XC16-048-230	TXV	45,000	14.50	11.50	CX34-44/48	SLO183UF135/150V60	6685358
XC16-048-230	TXV	45,000	15.00	11.50	CX34-44/48	SLO185B124/141V60	7110157
XC16-048-230	TXV	45,000	14.50	11.50	CX34-44/48	SLO185UF124/141V60	7110160
XC16-048-230	TXV	44,500	15.00	11.50	CX34-44/48	SLP98UH090XV48C	6685267
XC16-048-230	TXV	44,500	15.00	11.50	CX34-44/48	SLP98UH090XV60C	6685269
XC16-048-230	TXV	45,000	15.00	11.50	CX34-44/48	SLP98UH110XV60C	6685271
XC16-048-230	TXV	44,500	14.00	11.00	CX34-44/48		6685136
XC16-048-230	TXV	44,500	15.00	11.50	CX34-44/48B	SL280UH090V48B	6685492
XC16-048-230	TXV	44,500	15.00	11.50	CX34-44/48B	SL280UH090XV48B	6685493
XC16-048-230	TXV	45,000	15.00	11.70	CX34-44/48C	EL195UH090XE48C	6685490
XC16-048-230	TXV	45,000	15.00	11.70	CX34-44/48C	EL195UH110XE60C	6685491
XC16-048-230	TXV	46,500	16.00	12.20	CX34-49	EL180UH090E60C	6685379
XC16-048-230	TXV	46,500	16.00	12.20	CX34-49	EL180UH110E60C	6685382
XC16-048-230	TXV	46,500	15.50	12.20	CX34-49	EL195UH090XE48C	6685276
XC16-048-230	TXV	46,500	16.00	12.20	CX34-49	EL195UH110XE60C	6685278
XC16-048-230	TXV	46,500	15.50	12.00	CX34-49	EL296UH090XE48C	6685383
XC16-048-230	TXV	46,500	16.00	12.00	CX34-49	EL296UH090XV48C	6685280
XC16-048-230	TXV	46,500	15.50	12.00	CX34-49	EL296UH090XV60C	6685282
XC16-048-230	TXV	46,500	16.00	12.20	CX34-49	EL296UH110XE60C	6685386
XC16-048-230	TXV	46,500	16.00	12.20	CX34-49	EL296UH110XV48C	6685284
XC16-048-230	TXV	46,500	16.00	12.00	CX34-49	EL296UH110XV60C	6685286
XC16-048-230	TXV	46,500	15.50	11.70	CX34-49	O23V5-140/154	6685374
XC16-048-230	TXV	47,000	16.00	12.20	CX34-49	SL280UH090V60C	6685288
XC16-048-230	TXV	46,500	16.00	12.20	CX34-49	SL280UH090XV60C	6685387
XC16-048-230	TXV	46,500	16.00	12.20	CX34-49	SL280UH110V60C	6685290
XC16-048-230	TXV	46,500	16.00	12.20	CX34-49	SL280UH110XV60C	6685390
XC16-048-230	TXV	46,500	15.50	12.20	CX34-49	SLO183B135/150V60	6685378
XC16-048-230	TXV	46,500	15.50	12.20	CX34-49	SLO183UF135/150V60	6685376
XC16-048-230	TXV	46,500	15.50	12.20	CX34-49	SLO185B124/141V60	7110164
XC16-048-230	TXV	46,500	15.50	12.20	CX34-49	SLO185UF124/141V60	7110162

Ratings AHRI Certified to AHRI Standard 210/240 (with 25 ft. of connecting refrigerant lines); 95°F outdoor air temperature, 80°F db / 67°F wb entering evaporator air. All ratings include the use of a blower time delay relay (TDR). All Lennox variable-speed furnaces and Air Handlers have time delay capabilities. Other Furnaces and Air Handlers may require an optional time delay relay (**58M81**) for field installation. See furnace or air handler specifications to determine if relay is needed. Also see Expansion Valve Kit Usage Table.

AHRI SYSTEM MATCHES

NOTE - For the latest up-to-date system matches please visit the AHRI web site at <http://www.ahridirectory.org>

Model No.	Expansion Device	Capacity	SEER	EER	Coil or Air Handler	Furnace	AHRI Reference
XC16-048-230	TXV	46,500	16.00	12.00	CX34-49	SLP98UH090XV48C	6685292
XC16-048-230	TXV	46,500	16.00	12.00	CX34-49	SLP98UH090XV60C	6685294
XC16-048-230	TXV	46,500	16.00	12.00	CX34-49	SLP98UH110XV60C	6677946
XC16-048-230	TXV	46,500	14.50	11.70	CX34-49		6685138
XC16-048-230	TXV	45,500	15.50	11.70	CX34-50/60C	CBWMV-60C-100	6685398
XC16-048-230	TXV	45,500	15.50	12.00	CX34-50/60C	EL180UH090E60C	6685399
XC16-048-230	TXV	45,000	15.50	12.00	CX34-50/60C	EL180UH110E60C	6685402
XC16-048-230	TXV	45,000	15.00	11.70	CX34-50/60C	EL195UH090XE48C	6685297
XC16-048-230	TXV	45,500	15.00	11.50	CX34-50/60C	EL195UH110XE60C	6685299
XC16-048-230	TXV	45,500	15.00	11.70	CX34-50/60C	EL296UH090XE48C	6685403
XC16-048-230	TXV	45,500	15.50	11.70	CX34-50/60C	EL296UH090XV48C	6685301
XC16-048-230	TXV	45,500	15.00	11.70	CX34-50/60C	EL296UH090XV60C	6685303
XC16-048-230	TXV	45,500	15.50	12.00	CX34-50/60C	EL296UH110XE60C	6685406
XC16-048-230	TXV	45,000	15.50	11.70	CX34-50/60C	EL296UH110XV48C	6685305
XC16-048-230	TXV	45,500	15.50	11.70	CX34-50/60C	EL296UH110XV60C	6685307
XC16-048-230	TXV	45,000	15.00	11.00	CX34-50/60C	O23V5-140/154	6685391
XC16-048-230	TXV	45,500	15.50	11.70	CX34-50/60C	SL280UH090V60C	6685309
XC16-048-230	TXV	45,500	15.50	11.70	CX34-50/60C	SL280UH090XV60C	6685408
XC16-048-230	TXV	45,500	15.50	11.70	CX34-50/60C	SL280UH110V60C	6685311
XC16-048-230	TXV	45,500	15.50	11.70	CX34-50/60C	SL280UH110XV60C	6685409
XC16-048-230	TXV	45,000	15.00	11.70	CX34-50/60C	SLO183B135/150V60	6685394
XC16-048-230	TXV	45,000	15.00	11.70	CX34-50/60C	SLO183UF135/150V60	6685395
XC16-048-230	TXV	45,000	15.00	11.50	CX34-50/60C	SLO185B124/141V60	7110166
XC16-048-230	TXV	45,000	15.00	11.50	CX34-50/60C	SLO185UF124/141V60	7110167
XC16-048-230	TXV	45,500	15.50	11.70	CX34-50/60C	SLP98UH090XV48C	6685313
XC16-048-230	TXV	45,500	15.50	11.70	CX34-50/60C	SLP98UH090XV60C	6685315
XC16-048-230	TXV	45,500	15.50	11.70	CX34-50/60C	SLP98UH110XV60C	6685317
XC16-048-230	TXV	45,000	14.00	11.00	CX34-50/60C		6685140
XC16-048-230	TXV	46,500	16.00	12.00	CX34-60D	EL296UH135XV60D	6685319
XC16-048-230	TXV	46,000	15.50	11.70	CX34-60D	O23V5-140/154	6685411
XC16-048-230	TXV	46,500	16.00	12.20	CX34-60D	SL280UH135V60D	6685321
XC16-048-230	TXV	46,000	15.50	12.00	CX34-60D	SLO183B135/150V60	6685413
XC16-048-230	TXV	46,000	15.50	12.00	CX34-60D	SLO183UF135/150V60	6685415
XC16-048-230	TXV	46,000	15.50	12.00	CX34-60D	SLO185B124/141V60	7110169
XC16-048-230	TXV	46,000	15.50	12.00	CX34-60D	SLO185UF124/141V60	7110171
XC16-048-230	TXV	46,500	16.00	12.20	CX34-60D	SLP98UH135XV60D	6685323
XC16-048-230	TXV	46,000	14.50	11.50	CX34-60D		6685142
XC16-048-230	TXV	47,000	16.00	12.50	CX34-62C	EL180UH090E60C	6685423
XC16-048-230	TXV	47,000	16.00	12.50	CX34-62C	EL180UH110E60C	6685426
XC16-048-230	TXV	47,000	16.00	12.20	CX34-62C	EL195UH090XE48C	6685325
XC16-048-230	TXV	47,000	16.00	12.20	CX34-62C	EL195UH110XE60C	6685327
XC16-048-230	TXV	47,000	16.00	12.20	CX34-62C	EL296UH090XE48C	6685427
XC16-048-230	TXV	47,000	16.00	12.20	CX34-62C	EL296UH090XV48C	6685329
XC16-048-230	TXV	47,000	16.00	12.20	CX34-62C	EL296UH090XV60C	6685331
XC16-048-230	TXV	47,000	16.00	12.20	CX34-62C	EL296UH110XE60C	6685430
XC16-048-230	TXV	47,000	16.00	12.20	CX34-62C	EL296UH110XV48C	6685333
XC16-048-230	TXV	47,500	16.00	12.20	CX34-62C	EL296UH110XV60C	6685335

Ratings AHRI Certified to AHRI Standard 210/240 (with 25 ft. of connecting refrigerant lines); 95°F outdoor air temperature, 80°F db / 67°F wb entering evaporator air.

All ratings include the use of a blower time delay relay (TDR). All Lennox variable-speed furnaces and Air Handlers have time delay capabilities. Other Furnaces and Air Handlers may require an optional time delay relay (58M81) for field installation. See furnace or air handler specifications to determine if relay is needed.

Also see Expansion Valve Kit Usage Table.

AHRI SYSTEM MATCHES

NOTE - For the latest up-to-date system matches please visit the AHRI web site at <http://www.ahridirectory.org>

Model No.	Expansion Device	Capacity	SEER	EER	Coil or Air Handler	Furnace	AHRI Reference
XC16-048-230	TXV	47,000	16.00	11.70	CX34-62C	O23V5-140/154	6685417
XC16-048-230	TXV	47,500	16.50	12.20	CX34-62C	SL280UH090V60C	6685154
XC16-048-230	TXV	47,000	16.00	12.20	CX34-62C	SL280UH090XV60C	6685431
XC16-048-230	TXV	47,000	16.00	12.20	CX34-62C	SL280UH110V60C	6685337
XC16-048-230	TXV	47,000	16.00	12.20	CX34-62C	SL280UH110XV60C	6685434
XC16-048-230	TXV	47,000	16.00	12.20	CX34-62C	SLO183B135/150V60	6685419
XC16-048-230	TXV	47,000	16.00	12.20	CX34-62C	SLO183UF135/150V60	6685422
XC16-048-230	TXV	47,000	16.00	12.20	CX34-62C	SLO185B124/141V60	7110173
XC16-048-230	TXV	47,000	16.00	12.20	CX34-62C	SLO185UF124/141V60	7110176
XC16-048-230	TXV	47,000	16.00	12.20	CX34-62C	SLP98UH090XV48C	6685339
XC16-048-230	TXV	47,000	16.00	12.20	CX34-62C	SLP98UH090XV60C	6685341
XC16-048-230	TXV	47,500	16.00	12.20	CX34-62C	SLP98UH110XV60C	6685343
XC16-048-230	TXV	47,000	14.50	11.70	CX34-62C		6685144
XC16-048-230	TXV	47,000	16.00	12.20	CX34-62D	EL296UH135XV60D	6685345
XC16-048-230	TXV	46,500	16.00	11.70	CX34-62D	O23V5-140/154	6685436
XC16-048-230	TXV	47,000	16.00	12.20	CX34-62D	SL280UH135V60D	6685347
XC16-048-230	TXV	46,500	15.50	12.20	CX34-62D	SLO183B135/150V60	6685438
XC16-048-230	TXV	46,500	15.50	12.20	CX34-62D	SLO183UF135/150V60	6685439
XC16-048-230	TXV	46,500	15.50	12.20	CX34-62D	SLO185B124/141V60	7110178
XC16-048-230	TXV	46,500	15.50	12.20	CX34-62D	SLO185UF124/141V60	7110179
XC16-048-230	TXV	47,000	16.00	12.20	CX34-62D	SLP98UH135XV60D	6685349
XC16-048-230	TXV	46,500	14.50	11.70	CX34-62D		6685146
XC16-060-230	TXV	56,500	15.00	12.00	C33-49	EL180UH090E60C	6564114
XC16-060-230	TXV	56,500	15.00	12.00	C33-49	EL180UH110E60C	6564117
XC16-060-230	TXV	56,500	15.00	12.00	C33-49	EL195UH110XE60C	6564018
XC16-060-230	TXV	56,500	15.00	11.00	C33-49	EL296UH090XV60C	6564020
XC16-060-230	TXV	56,500	15.00	12.00	C33-49	EL296UH110XE60C	6564118
XC16-060-230	TXV	56,000	15.00	11.00	C33-49	EL296UH110XVE60C	6564022
XC16-060-230	TXV	56,000	14.50	11.00	C33-49	O23V5-140/154	6564028
XC16-060-230	TXV	56,500	15.00	11.70	C33-49	SL280UH090V60C	6564031
XC16-060-230	TXV	56,500	15.00	11.70	C33-49	SL280UH090XV60C	6564120
XC16-060-230	TXV	56,500	15.00	11.70	C33-49	SL280UH110V60C	6564032
XC16-060-230	TXV	56,500	15.00	11.70	C33-49	SL280UH110XV60C	6564122
XC16-060-230	TXV	56,500	15.00	11.00	C33-49	SLP98UH090XV60C	6564034
XC16-060-230	TXV	56,000	15.00	11.00	C33-49	SLP98UH110XV60C	6564036
XC16-060-230	TXV	56,500	14.00	11.00	C33-49		6564016
XC16-060-230	TXV	54,000	14.50	11.00	C33-50/60C	CBWMV-60C-120	6564124
XC16-060-230	TXV	55,000	15.00	11.70	C33-50/60C	EL180UH090E60C	6564127
XC16-060-230	TXV	55,000	14.50	11.70	C33-50/60C	EL180UH110E60C	6564128
XC16-060-230	TXV	55,000	14.50	11.70	C33-50/60C	EL180UH110XE60C	6564130
XC16-060-230	TXV	55,000	15.00	11.70	C33-50/60C	EL195UH110XE60C	6564040
XC16-060-230	TXV	55,000	14.50	11.00	C33-50/60C	EL296UH090XV60C	6564042
XC16-060-230	TXV	55,000	15.00	11.70	C33-50/60C	EL296UH110XE60C	6564131
XC16-060-230	TXV	55,000	14.50	11.00	C33-50/60C	EL296UH110XV60C	6564044
XC16-060-230	TXV	54,500	14.00	11.00	C33-50/60C	O23V5-140/154	6564050
XC16-060-230	TXV	55,000	15.00	11.00	C33-50/60C	SL280UH090V60C	6564052
XC16-060-230	TXV	55,000	14.50	11.00	C33-50/60C	SL280UH090XV60C	6564132

Ratings AHRI Certified to AHRI Standard 210/240 (with 25 ft. of connecting refrigerant lines); 95°F outdoor air temperature, 80°F db / 67°F wb entering evaporator air. All ratings include the use of a blower time delay relay (TDR). All Lennox variable-speed furnaces and Air Handlers have time delay capabilities. Other Furnaces and Air Handlers may require an optional time delay relay (**58M81**) for field installation. See furnace or air handler specifications to determine if relay is needed. Also see Expansion Valve Kit Usage Table.

AHRI SYSTEM MATCHES

NOTE - For the latest up-to-date system matches please visit the AHRI web site at <http://www.ahridirectory.org>

Model No.	Expansion Device	Capacity	SEER	EER	Coil or Air Handler	Furnace	AHRI Reference
XC16-060-230	TXV	55,000	14.50	11.00	C33-50/60C	SL280UH110V60C	6564054
XC16-060-230	TXV	54,500	14.50	11.00	C33-50/60C	SL280UH110XV60C	6564135
XC16-060-230	TXV	55,000	14.50	11.00	C33-50/60C	SLP98UH090XV60C	6564056
XC16-060-230	TXV	55,000	14.50	11.00	C33-50/60C	SLP98UH110XV60C	6564058
XC16-060-230	TXV	55,000	14.00	11.00	C33-50/60C		6564038
XC16-060-230	TXV	56,500	15.50	11.70	C33-60D	EL180UH135E60D	6564139
XC16-060-230	TXV	56,500	15.00	11.70	C33-60D	EL195UH135XE60D	6564062
XC16-060-230	TXV	56,500	15.00	11.70	C33-60D	EL296UH135XE60D	6564141
XC16-060-230	TXV	56,500	15.00	11.70	C33-60D	EL296UH135XV60D	6564064
XC16-060-230	TXV	56,000	15.00	11.00	C33-60D	O23V5-140/154	6564068
XC16-060-230	TXV	56,500	15.50	11.70	C33-60D	SL280UH135V60D	6564070
XC16-060-230	TXV	56,000	15.00	11.00	C33-60D	SLO183B135/150V60	6564111
XC16-060-230	TXV	56,000	15.00	11.00	C33-60D	SLO185B124/141V60	7110091
XC16-060-230	TXV	56,500	15.50	11.70	C33-60D	SLP98UH135XV60D	6564072
XC16-060-230	TXV	56,000	14.00	11.00	C33-60D		6564060
XC16-060-230	TXV	57,500	15.50	12.20	C33-62C	EL180UH090E60C	6564144
XC16-060-230	TXV	57,500	15.50	12.20	C33-62C	EL180UH110E60C	6564147
XC16-060-230	TXV	57,500	15.50	12.20	C33-62C	EL195UH110XE60C	6564076
XC16-060-230	TXV	57,500	15.50	11.70	C33-62C	EL296UH090XV60C	6564077
XC16-060-230	TXV	57,500	15.50	12.20	C33-62C	EL296UH110XE60C	6564149
XC16-060-230	TXV	57,000	15.50	11.70	C33-62C	EL296UH110XV60C	6564078
XC16-060-230	TXV	57,000	15.00	11.00	C33-62C	O23V5-140/154	6564084
XC16-060-230	TXV	55,500	15.00	11.00	C33-62C	OF23V5-140/154	6564136
XC16-060-230	TXV	57,500	16.00	12.00	C33-62C	SL280UH090V60C	6563960
XC16-060-230	TXV	57,500	15.50	12.00	C33-62C	SL280UH090XV60C	6564150
XC16-060-230	TXV	57,500	15.50	11.70	C33-62C	SL280UH110V60C	6564086
XC16-060-230	TXV	57,500	15.00	11.70	C33-62C	SL280UH110XV60C	6564152
XC16-060-230	TXV	57,000	15.00	11.50	C33-62C	SLO185B124/141V60	7110182
XC16-060-230	TXV	57,000	15.00	12.00	C33-62C	SLO185UF124/141V60	7110088
XC16-060-230	TXV	57,500	15.50	11.70	C33-62C	SLP98UH090XV60C	6564088
XC16-060-230	TXV	57,000	15.50	11.70	C33-62C	SLP98UH110XV60C	6564090
XC16-060-230	TXV	57,500	14.50	11.70	C33-62C		6564074
XC16-060-230	TXV	57,000	15.50	12.00	C33-62D	EL180UH135E60D	6564153
XC16-060-230	TXV	57,000	15.00	11.70	C33-62D	EL195UH135XE60D	6564094
XC16-060-230	TXV	57,000	15.00	11.70	C33-62D	EL296UH135XE60D	6564155
XC16-060-230	TXV	57,000	15.50	11.70	C33-62D	EL296UH135XV60D	6564096
XC16-060-230	TXV	56,500	15.00	11.00	C33-62D	O23V5-140/154	6564100
XC16-060-230	TXV	57,000	15.50	12.00	C33-62D	SL280UH135V60D	6564102
XC16-060-230	TXV	57,000	15.00	11.50	C33-62D	SLO183B135/150V60	6564109
XC16-060-230	TXV	57,000	15.00	11.70	C33-62D	SLO183B135/150V60	6564113
XC16-060-230	TXV	56,000	15.00	11.00	C33-62D	SLO183UF135/150V60	6564106
XC16-060-230	TXV	57,000	15.00	11.50	C33-62D	SLO185B124/141V60	7110089
XC16-060-230	TXV	56,000	15.00	11.00	C33-62D	SLO185UF124/141V60	7110086
XC16-060-230	TXV	57,000	15.50	12.00	C33-62D	SLP98UH135XV60D	6564104
XC16-060-230	TXV	56,500	14.00	11.00	C33-62D		6564092
XC16-060-230	TXV	56,500	14.50	11.70	CBX25UH-060		6564156
XC16-060-230	TXV	56,500	16.00	12.20	CBX25UHV-060		6970140

Ratings AHRI Certified to AHRI Standard 210/240 (with 25 ft. of connecting refrigerant lines); 95°F outdoor air temperature, 80°F db / 67°F wb entering evaporator air.

All ratings include the use of a blower time delay relay (TDR). All Lennox variable-speed furnaces and Air Handlers have time delay capabilities. Other Furnaces and Air Handlers may require an optional time delay relay (58M81) for field installation. See furnace or air handler specifications to determine if relay is needed.

Also see Expansion Valve Kit Usage Table.

AHRI SYSTEM MATCHES

NOTE - For the latest up-to-date system matches please visit the AHRI web site at <http://www.ahridirectory.org>

Model No.	Expansion Device	Capacity	SEER	EER	Coil or Air Handler	Furnace	AHRI Reference
XC16-060-230	TXV	56,500	15.50	12.00	CBX27UH-060		6563962
XC16-060-230	TXV	56,500	14.50	11.70	CBX32M-060		6563963
XC16-060-230	TXV	56,000	15.50	11.70	CBX32MV-048		6563964
XC16-060-230	TXV	56,500	15.50	11.70	CBX32MV-060		6563965
XC16-060-230	TXV	56,500	15.50	12.20	CBX32MV-068		6563966
XC16-060-230	TXV	55,000	15.00	11.70	CBX40UHV-048		6564157
XC16-060-230	TXV	55,500	15.00	11.70	CBX40UHV-060		6564158
XC16-060-230	TXV	53,000	13.00	11.00	CH23-51		6564159
XC16-060-230	TXV	54,000	14.50	11.00	CH23-65	EL180UH090E60C	6564160
XC16-060-230	TXV	54,000	14.50	11.00	CH23-65	EL180UH110E60C	6564161
XC16-060-230	TXV	54,000	14.50	11.00	CH23-65	EL195UH110XE60C	6563968
XC16-060-230	TXV	54,000	14.50	11.00	CH23-65	EL296UH090XV60C	6563969
XC16-060-230	TXV	54,000	14.50	11.00	CH23-65	EL296UH110XE60C	6564162
XC16-060-230	TXV	54,000	14.50	11.00	CH23-65	EL296UH110XV60C	6563970
XC16-060-230	TXV	54,500	15.00	11.00	CH23-65	EL296UH135XV60D	6563971
XC16-060-230	TXV	54,500	15.00	11.00	CH23-65	SL280UH090V60C	6563974
XC16-060-230	TXV	54,000	14.50	11.00	CH23-65	SL280UH110XV60C	6563975
XC16-060-230	TXV	54,500	15.00	11.00	CH23-65	SL280UH135XV60D	6563976
XC16-060-230	TXV	54,000	14.50	11.00	CH23-65	SLP98UH090XV60C	6563977
XC16-060-230	TXV	54,000	14.50	11.00	CH23-65	SLP98UH110XV60C	6563978
XC16-060-230	TXV	54,500	15.00	11.00	CH23-65	SLP98UH135XV60D	6563979
XC16-060-230	TXV	54,000	13.00	11.00	CH23-65		6563967
XC16-060-230	TXV	54,500	15.00	11.00	CH23-68	EL180UH135E60D	6564164
XC16-060-230	TXV	57,000	15.00	11.70	CH23-68	EL195UH135XE60D	6563981
XC16-060-230	TXV	54,500	14.50	11.00	CH23-68	EL296UH135XE60D	6564163
XC16-060-230	TXV	57,500	15.50	12.00	CH23-68	EL296UH135XV60D	6563982
XC16-060-230	TXV	57,500	15.50	12.00	CH23-68	SL280UH135V60D	6563984
XC16-060-230	TXV	57,000	15.50	12.00	CH23-68	SLP98UH135XV60D	6563985
XC16-060-230	TXV	57,500	14.50	11.70	CH23-68		6563980
XC16-060-230	TXV	56,000	15.00	11.70	CH33-50/60C	EL180UH090E60C	6564167
XC16-060-230	TXV	56,000	15.00	11.70	CH33-50/60C	EL180UH110E60C	6564168
XC16-060-230	TXV	56,000	15.00	11.70	CH33-50/60C	EL180UH110XE60C	6564169
XC16-060-230	TXV	56,000	15.00	11.70	CH33-50/60C	EL195UH110XE60C	6563988
XC16-060-230	TXV	56,000	15.00	11.00	CH33-50/60C	EL296UH090XV60C	6563989
XC16-060-230	TXV	56,000	15.00	11.70	CH33-50/60C	EL296UH110XE60C	6564170
XC16-060-230	TXV	56,000	15.00	11.00	CH33-50/60C	EL296UH110XV60C	6563990
XC16-060-230	TXV	56,000	15.00	11.00	CH33-50/60C	SL280UH090V60C	6563993
XC16-060-230	TXV	56,000	15.00	11.00	CH33-50/60C	SL280UH090XV60C	6564166
XC16-060-230	TXV	56,000	14.50	11.00	CH33-50/60C	SL280UH110V60C	6563994
XC16-060-230	TXV	55,500	15.00	11.70	CH33-50/60C	SL280UH110XV60C	6564165
XC16-060-230	TXV	56,000	15.00	11.00	CH33-50/60C	SLP98UH090XV60C	6563995
XC16-060-230	TXV	56,000	15.00	11.00	CH33-50/60C	SLP98UH110XV60C	6563996
XC16-060-230	TXV	56,000	14.00	11.00	CH33-50/60C		6563986
XC16-060-230	TXV	56,000	15.00	11.00	CH33-50/60C		6563987
XC16-060-230	TXV	56,000	15.00	11.70	CH33-60D	CBWMV-60C-100	6563998
XC16-060-230	TXV	56,000	15.00	11.00	CH33-60D	EL195UH135XE60D	6563999
XC16-060-230	TXV	56,000	15.00	11.70	CH33-60D	EL296UH135XV60D	6564000

Ratings AHRI Certified to AHRI Standard 210/240 (with 25 ft. of connecting refrigerant lines); 95°F outdoor air temperature, 80°F db / 67°F wb entering evaporator air. All ratings include the use of a blower time delay relay (TDR). All Lennox variable-speed furnaces and Air Handlers have time delay capabilities. Other Furnaces and Air Handlers may require an optional time delay relay (**58M81**) for field installation. See furnace or air handler specifications to determine if relay is needed. Also see Expansion Valve Kit Usage Table.

AHRI SYSTEM MATCHES

NOTE - For the latest up-to-date system matches please visit the AHRI web site at <http://www.ahridirectory.org>

Model No.	Expansion Device	Capacity	SEER	EER	Coil or Air Handler	Furnace	AHRI Reference
XC16-060-230	TXV	56,000	15.00	11.70	CH33-60D	SL280UH135V60D	6564002
XC16-060-230	TXV	56,000	15.50	11.70	CH33-60D	SLP98UH135XV60D	6564003
XC16-060-230	TXV	55,500	14.00	11.00	CH33-60D		6563997
XC16-060-230	TXV	56,500	15.50	11.70	CH33-62D	EL180UH135E60D	6564172
XC16-060-230	TXV	56,500	15.00	11.70	CH33-62D	EL195UH135XE60D	6564005
XC16-060-230	TXV	56,500	15.00	11.70	CH33-62D	EL296UH135XE60D	6564171
XC16-060-230	TXV	56,500	15.00	11.70	CH33-62D	EL296UH135XV60D	6564006
XC16-060-230	TXV	56,000	15.00	12.00	CH33-62D	SL280UH090V60C	6564008
XC16-060-230	TXV	56,500	15.50	11.70	CH33-62D	SL280UH090XV60C	6564173
XC16-060-230	TXV	56,000	15.00	12.00	CH33-62D	SL280UH110V60C	6564009
XC16-060-230	TXV	56,500	15.50	11.70	CH33-62D	SL280UH135V60D	6564010
XC16-060-230	TXV	56,500	15.50	11.70	CH33-62D	SLP98UH135XV60D	6564011
XC16-060-230	TXV	56,000	14.00	11.00	CH33-62D		6564004
XC16-060-230	TXV	54,000	14.50	11.00	CR33-50/60	SLP98DF090XV60C	6564174
XC16-060-230	TXV	54,000	14.50	11.00	CR33-50/60	SLP98DF110XV60C	6564176
XC16-060-230	TXV	54,500	14.50	11.50	CR33-60	EL195DF110XE60C	6800915
XC16-060-230	TXV	54,500	14.50	11.00	CR33-60	EL296DF090XV60C	6564013
XC16-060-230	TXV	54,500	14.50	11.00	CR33-60	EL296DF110XV60C	6564014
XC16-060-230	TXV	54,000	14.50	11.00	CR33-60	SLP98DF090XV60C	6564175
XC16-060-230	TXV	54,000	14.50	11.00	CR33-60	SLP98DF110XV60C	6564177
XC16-060-230	TXV	55,000	14.00	11.00	CR33-60		6564012
XC16-060-230	TXV	56,500	15.00	12.00	CX34-49	EL180UH090E60C	6564115
XC16-060-230	TXV	56,500	15.00	12.00	CX34-49	EL180UH110XE60C	6564116
XC16-060-230	TXV	56,500	15.00	12.00	CX34-49	EL195UH110XE60C	6564017
XC16-060-230	TXV	56,000	14.50	11.00	CX34-49	O23V5-140/154	6564027
XC16-060-230	TXV	56,500	15.00	11.70	CX34-49	SL280UH090V60C	6564029
XC16-060-230	TXV	56,500	15.00	11.70	CX34-49	SL280UH090XV60C	6564121
XC16-060-230	TXV	56,500	15.00	11.70	CX34-49	SL280UH110V60C	6564030
XC16-060-230	TXV	56,500	15.00	11.70	CX34-49	SL280UH110XV60C	6564123
XC16-060-230	TXV	56,500	15.00	11.00	CX34-49	SLP98UH090XV60C	6564033
XC16-060-230	TXV	56,000	15.00	11.00	CX34-49	SLP98UH110XV60C	6564035
XC16-060-230	TXV	56,500	14.00	11.00	CX34-49		6564015
XC16-060-230	TXV	54,000	14.50	11.00	CX34-50/60C	CBWMV-60C-120	6564125
XC16-060-230	TXV	55,000	15.00	11.70	CX34-50/60C	EL180UH090E60C	6564126
XC16-060-230	TXV	55,000	14.50	11.70	CX34-50/60C	EL180UH110E60C	6564129
XC16-060-230	TXV	55,000	15.00	11.70	CX34-50/60C	EL195UH110XE60C	6564039
XC16-060-230	TXV	55,000	14.50	11.00	CX34-50/60C	EL296UH090XV60C	6564041
XC16-060-230	TXV	56,500	15.00	12.00	CX34-50/60C	EL296UH110XE60C	6564119
XC16-060-230	TXV	55,000	14.50	11.00	CX34-50/60C	EL296UH110XV60C	6564043
XC16-060-230	TXV	54,500	14.00	11.00	CX34-50/60C	O23V5-140/154	6564049
XC16-060-230	TXV	55,000	15.00	11.00	CX34-50/60C	SL280UH090V60C	6564051
XC16-060-230	TXV	55,000	14.50	11.00	CX34-50/60C	SL280UH090XV60C	6564133
XC16-060-230	TXV	55,000	14.50	11.00	CX34-50/60C	SL280UH110V60C	6564053
XC16-060-230	TXV	54,500	14.50	11.00	CX34-50/60C	SL280UH110XV60C	6564134
XC16-060-230	TXV	55,000	14.50	11.00	CX34-50/60C	SLP98UH090XV60C	6564055
XC16-060-230	TXV	55,000	14.50	11.00	CX34-50/60C	SLP98UH110XV60C	6564057
XC16-060-230	TXV	55,000	14.00	11.00	CX34-50/60C		6564037

Ratings AHRI Certified to AHRI Standard 210/240 (with 25 ft. of connecting refrigerant lines); 95°F outdoor air temperature, 80°F db / 67°F wb entering evaporator air.

All ratings include the use of a blower time delay relay (TDR). All Lennox variable-speed furnaces and Air Handlers have time delay capabilities. Other Furnaces and Air Handlers may require an optional time delay relay (58M81) for field installation. See furnace or air handler specifications to determine if relay is needed.

Also see Expansion Valve Kit Usage Table.

AHRI SYSTEM MATCHES

NOTE - For the latest up-to-date system matches please visit the AHRI web site at <http://www.ahridirectory.org>

Model No.	Expansion Device	Capacity	SEER	EER	Coil or Air Handler	Furnace	AHRI Reference
XC16-060-230	TXV	56,500	15.50	11.70	CX34-60D	EL180UH135E60D	6564138
XC16-060-230	TXV	56,500	15.00	11.70	CX34-60D	EL195UH135XE60D	6564061
XC16-060-230	TXV	56,500	15.00	11.70	CX34-60D	EL296UH135XV60D	6564063
XC16-060-230	TXV	56,000	15.00	11.00	CX34-60D	O23V5-140/154	6564067
XC16-060-230	TXV	55,500	15.00	11.00	CX34-60D	OF23V5-140/154	6564137
XC16-060-230	TXV	56,500	15.50	11.70	CX34-60D	SL280UH135V60D	6564069
XC16-060-230	TXV	56,000	15.00	11.00	CX34-60D	SLO183B135/150V60	6564110
XC16-060-230	TXV	56,000	15.00	11.00	CX34-60D	SLO185B124/141V60	7110090
XC16-060-230	TXV	56,500	15.50	11.70	CX34-60D	SLP98UH135XV60D	6564071
XC16-060-230	TXV	56,000	14.00	11.00	CX34-60D		6564059
XC16-060-230	TXV	57,500	15.50	12.20	CX34-62C	EL180UH090E60C	6564143
XC16-060-230	TXV	57,500	15.50	12.20	CX34-62C	EL180UH110E60C	6564145
XC16-060-230	TXV	57,500	15.50	12.20	CX34-62C	EL195UH110XE60C	6564075
XC16-060-230	TXV	56,500	15.00	11.00	CX34-62C	EL296UH090XV60C	6564019
XC16-060-230	TXV	57,500	15.50	12.20	CX34-62C	EL296UH110XE60C	6564148
XC16-060-230	TXV	56,000	15.00	11.00	CX34-62C	EL296UH110XV60C	6564021
XC16-060-230	TXV	57,000	15.00	11.00	CX34-62C	O23V5-140/154	6564083
XC16-060-230	TXV	56,000	15.00	11.70	CX34-62C	OF23V5-140/154	6564142
XC16-060-230	TXV	57,500	16.00	12.00	CX34-62C	SL280UH090V60C	6563959
XC16-060-230	TXV	57,500	15.50	12.00	CX34-62C	SL280UH090XV60C	6564151
XC16-060-230	TXV	57,500	15.50	11.70	CX34-62C	SL280UH110V60C	6564085
XC16-060-230	TXV	57,500	15.50	12.20	CX34-62C	SL280UH110XV60C	6564146
XC16-060-230	TXV	57,000	15.00	12.00	CX34-62C	SLO185UF124/141V60	7110087
XC16-060-230	TXV	57,500	15.50	11.70	CX34-62C	SLP98UH090XV60C	6564087
XC16-060-230	TXV	57,000	15.50	11.70	CX34-62C	SLP98UH110XV60C	6564089
XC16-060-230	TXV	57,500	14.50	11.70	CX34-62C		6564073
XC16-060-230	TXV	57,000	15.50	12.00	CX34-62D	EL180UH135E60D	6564154
XC16-060-230	TXV	57,000	15.00	11.70	CX34-62D	EL195UH135XE60D	6564093
XC16-060-230	TXV	56,500	15.00	11.70	CX34-62D	EL296UH135XE60D	6564140
XC16-060-230	TXV	57,000	15.50	11.70	CX34-62D	EL296UH135XV60D	6564095
XC16-060-230	TXV	56,500	15.00	11.00	CX34-62D	O23V5-140/154	6564099
XC16-060-230	TXV	57,000	15.50	12.00	CX34-62D	SL280UH135V60D	6564101
XC16-060-230	TXV	57,000	15.00	11.70	CX34-62D	SLO183B135/150V60	6564112
XC16-060-230	TXV	56,000	15.00	11.00	CX34-62D	SLO183UF135/150V60	6564105
XC16-060-230	TXV	57,000	15.00	11.50	CX34-62D	SLO185B124/141V60	7110092
XC16-060-230	TXV	56,000	15.00	11.00	CX34-62D	SLO185UF124/141V60	7110085
XC16-060-230	TXV	57,000	15.50	12.00	CX34-62D	SLP98UH135XV60D	6564103
XC16-060-230	TXV	56,500	14.00	11.00	CX34-62D		6564091

Ratings AHRI Certified to AHRI Standard 210/240 (with 25 ft. of connecting refrigerant lines); 95°F outdoor air temperature, 80°F db / 67°F wb entering evaporator air. All ratings include the use of a blower time delay relay (TDR). All Lennox variable-speed furnaces and Air Handlers have time delay capabilities. Other Furnaces and Air Handlers may require an optional time delay relay (**58M81**) for field installation. See furnace or air handler specifications to determine if relay is needed. Also see Expansion Valve Kit Usage Table.

REVISIONS

Sections	Description of Change
AHRI System Matches	Updated.



Visit us at www.lennox.com

For the latest technical information, www.lennox.com

Contact us at 1-800-4-LENNOX

NOTE - Due to Lennox' ongoing commitment to quality, Specifications, Ratings and Dimensions subject to change without notice and without incurring liability. Improper installation, adjustment, alteration, service or maintenance can cause property damage or personal injury. Installation and service must be performed by a qualified installer and servicing agency.

©2014 Lennox Industries, Inc.